



Maj 2011.god

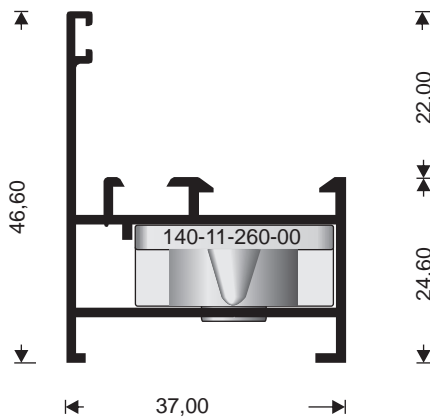


**Profili**  
**Profiles**  
R=1:1

**M 977**

W=591 gr/m

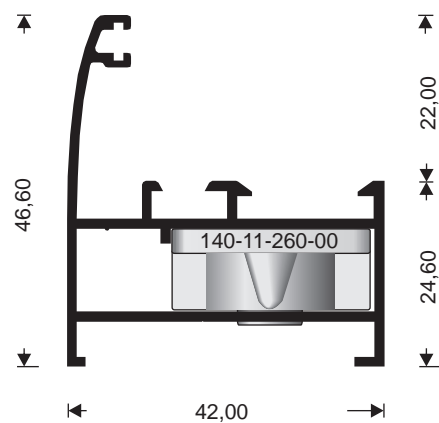
RAVNI ŠTOK  
FIXED FRAME STRAIGHT



**M 947**

W=649 gr/m

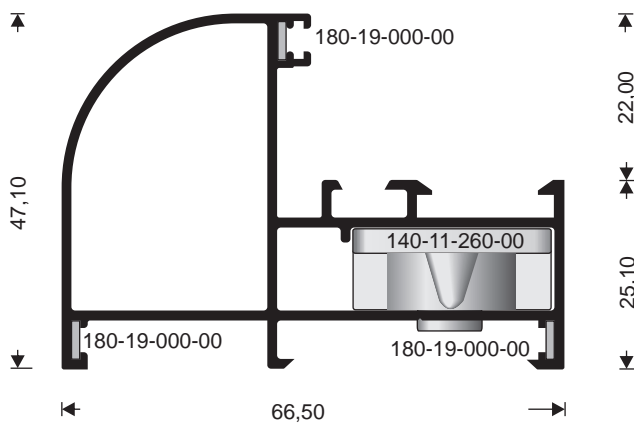
ZAoblJENI ŠTOK  
FIXED FRAME ROUND



**M 968**

W=967 gr/m

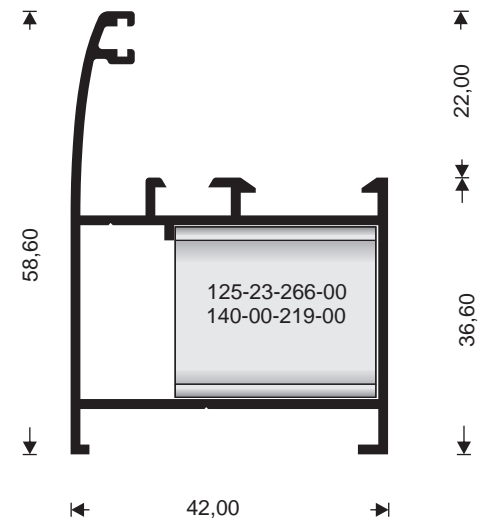
ŠTOK ZAoblJENI-MALI  
FRAME SMALL ROUND



**M 957**

W=733 gr/m

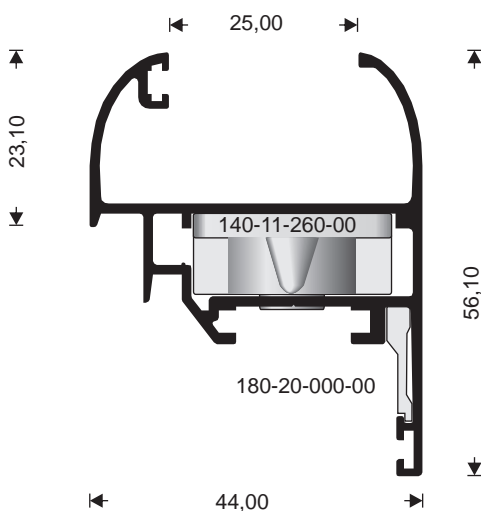
ŠTOK ZAoblJENI  
FIXED FRAME ROUND



**M 962**

W=778 gr/m

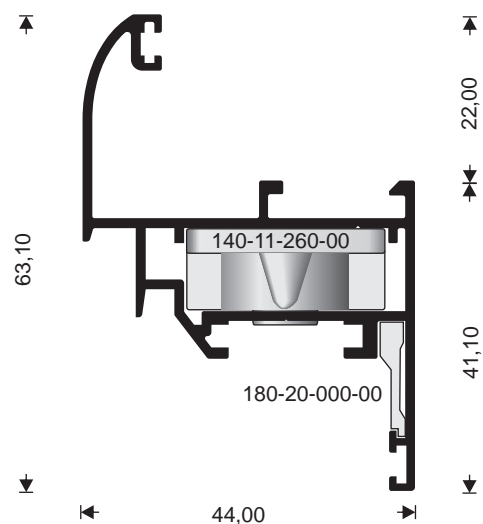
ZAoblJENO KRILO ZA IZO STAKLO-MALO  
SASH FOR DOUBLE GLAZING, SMALL



**M 991**

W=761 gr/m

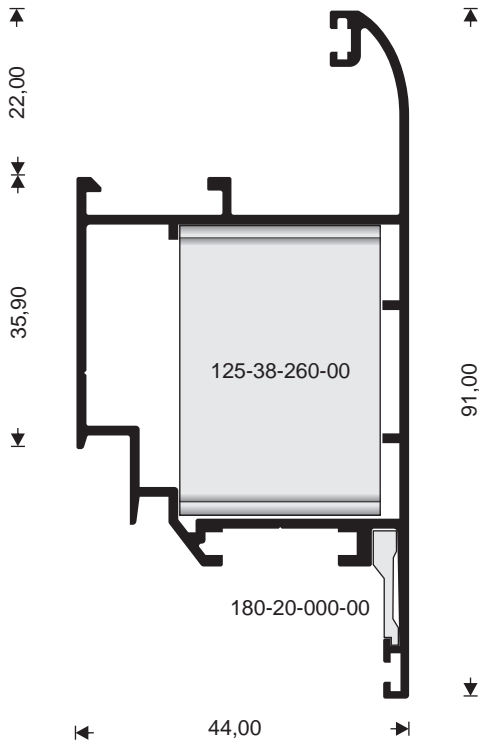
KRILO ZAoblJENO-MALO  
SASH ROUND SMALL



**M 997**

W=998 gr/m

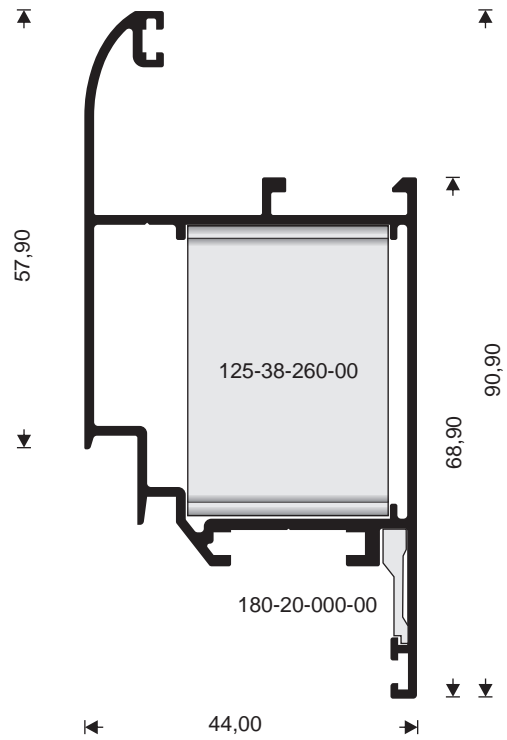
KRILO ZA OTVARANJE VANI-VELIKO  
SASH OPENING OUTSIDE, LARGE



**M 992**

W=996 gr/m

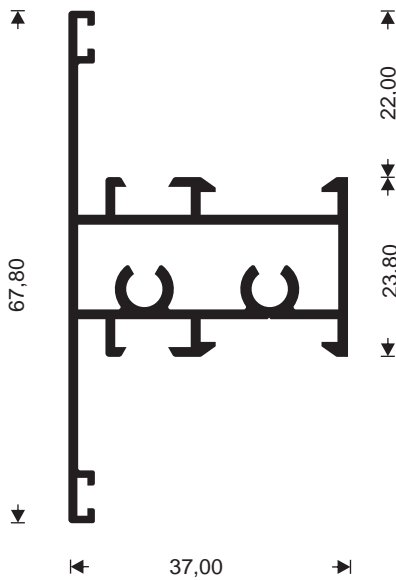
KRILO ZA OBLJENO-VELIKO  
SASH ROUND LARGE



**M 981**

W=828 gr/m

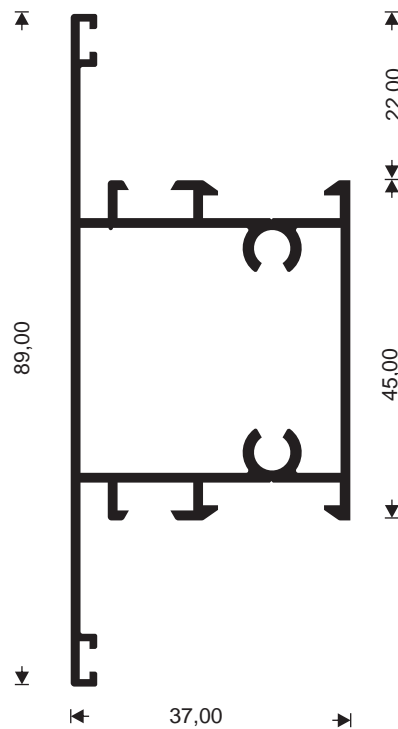
"T" PREËKA-MALA  
"T" PROFILE, SMALL (TRANSOM)



**M 954**

W=977 gr/m

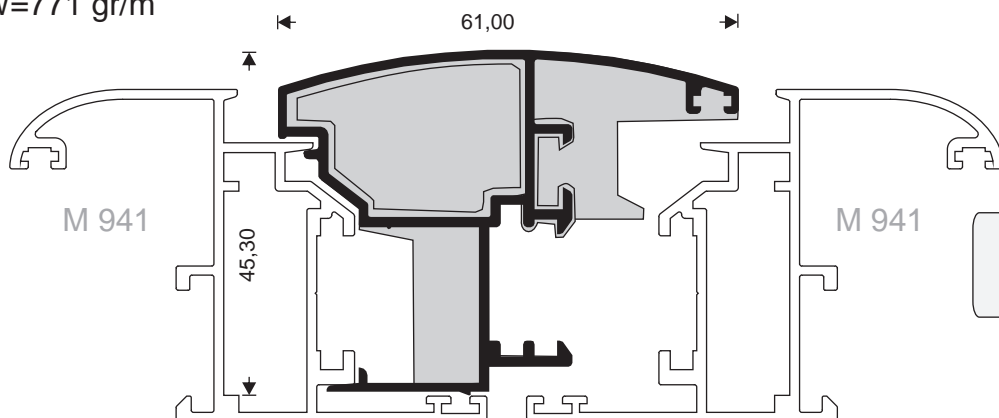
"T" PREËKA-SREDNJA  
"T" PROFILE, MEDIUM



### M 944

W=771 gr/m

SREDNJA PREĚKA  
ADJOINING PROFILE

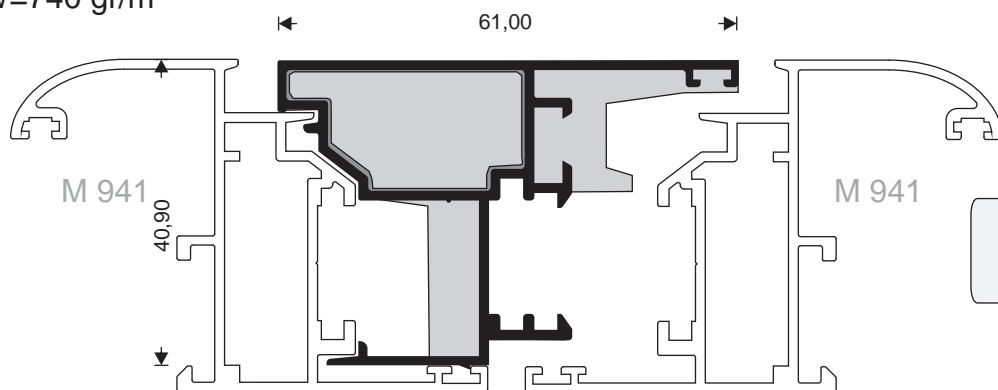


ĚEP ZA SREDNJU PREĚKU  
/ PLASTIC ENDCAP CODE:  
300-00-944-00

### M 964

W=740 gr/m

SREDNJA PREĚKA  
ADJOINING PROFILE

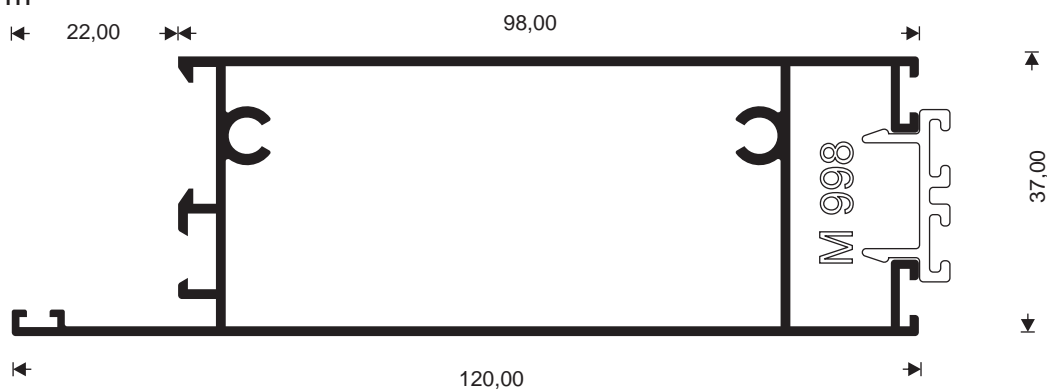


ĚEP ZA SREDNJU PREĚKU  
/ PLASTIC ENDCAP CODE:  
300-00-964-00

### M 955

W=1286 gr/m

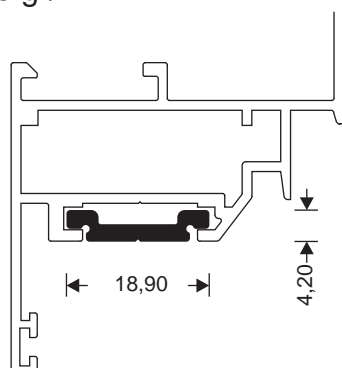
PARAPET  
KICK PLATE



### M 9316

W=136 gr/m

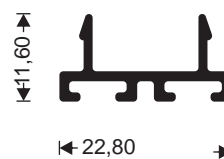
POTISNA LETVA  
ROD



### M 998

W=192 gr/m

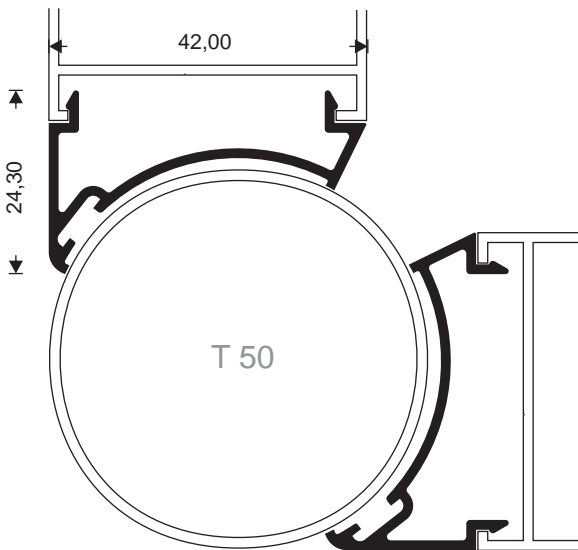
DODATNI PROFIL ZA DNO VRATA  
ADJOINING PROFILE FOR KICK PLATE



**M 976**

PROFIL ZA PROMJENLJIVI UGAO  
PROFILE FOR ADJUSTABLE  
CORNER COLUMN

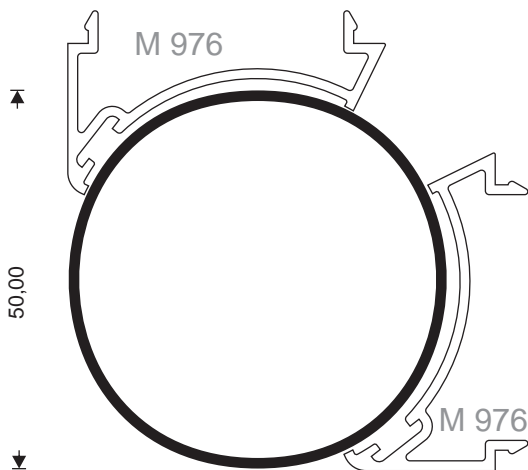
W=317 gr/m



**T 50**

CIJEV ZA PROMJENLJIVI UGAO  
TUBE COLUMN

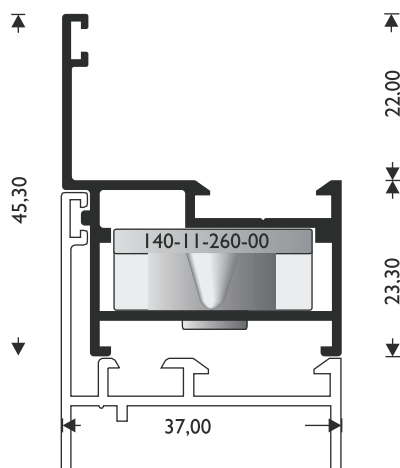
W=577gr/m



**M 987**

DODATNI PROFIL ZA ŠTOK  
ADJ. PROFILE FOR SASH, FRAME

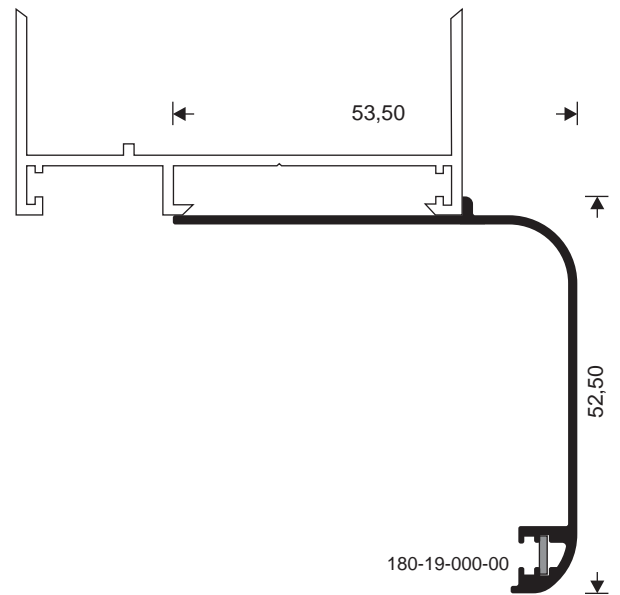
W=554gr/m



**M 9419**

DEKORATIVNI PROFIL  
DECORATIVE ARMATURE

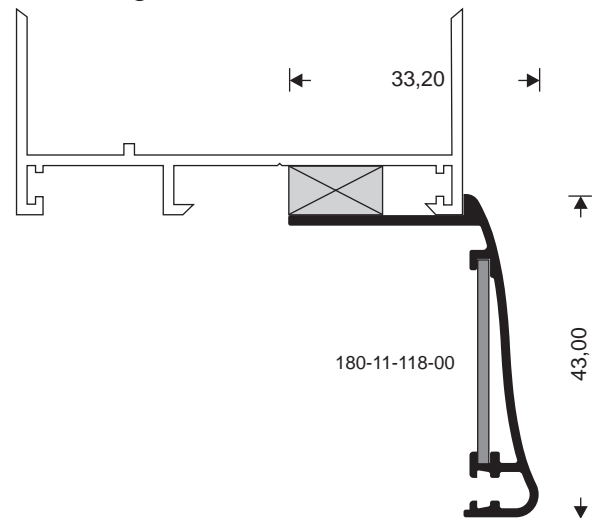
W=397 gr/m



**M 11118**

DEKORATIVNI PROFIL  
DECORATIVE ARMATURE

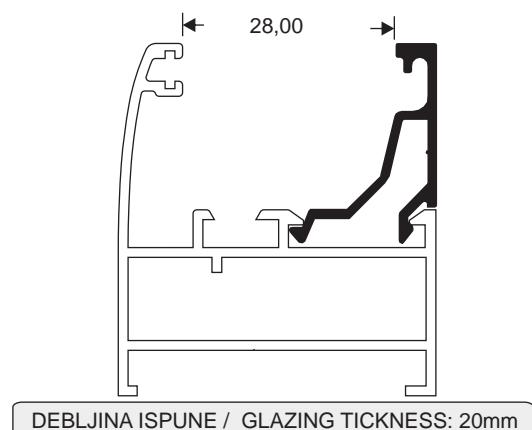
W=324 gr/m



**M 946**

LASJNA ZA STAKLO  
GLASS HOLDER

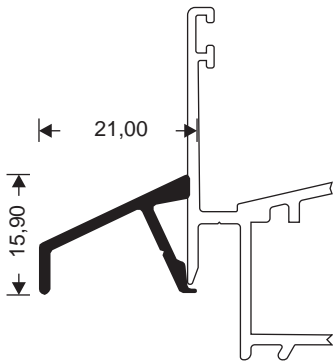
W=232 gr/m



**M 9317**

W=181 gr/m

OKAPNICA  
WATERCAP

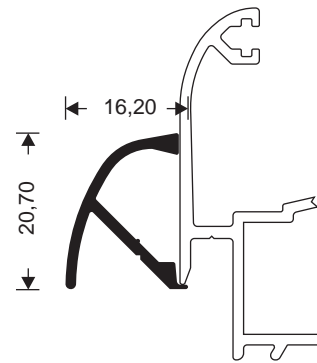


PVC ĚEP/ PLASTIC ENDCAP CODE: 310-09-317-00

**M 11116**

W=184 gr/m

OKAPNICA  
WATERCAP

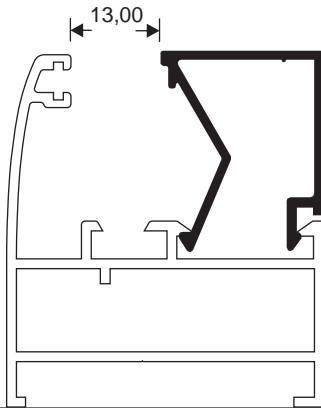


PVC ĚEP/ PLASTIC ENDCAP CODE: 310-11-116-00

**M 945**

W=278 gr/m

LAJSNA ZA STAKLO  
GLASS HOLDER

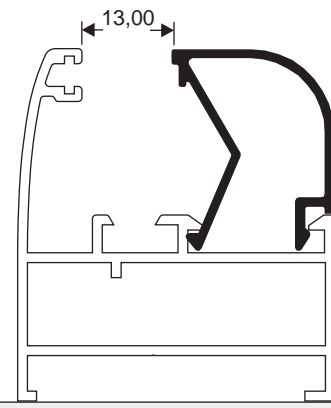


DEBLJINA ISPUNE / GLAZING TICKNESS: 5mm

**M 969**

W=262 gr/m

LAJSNA ZA STAKLO  
GLASS HOLDER

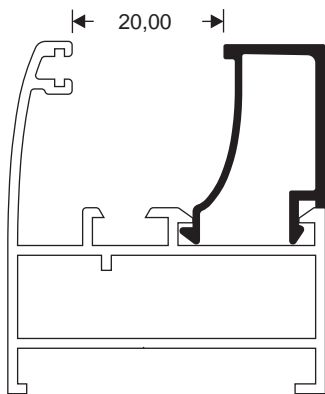


DEBLJINA ISPUNE / GLAZING TICKNESS: 5mm

**M 9312**

W=241 gr/m

LAJSNA ZA STAKLO  
GLAZING BEAD

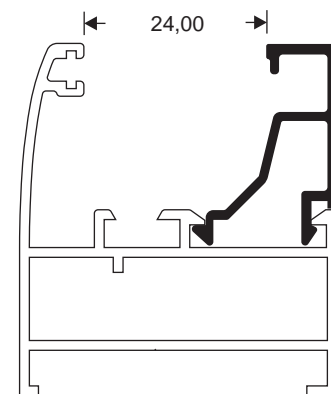


DEBLJINA ISPUNE / GLAZING TICKNESS: 12mm

**M 9565**

W=241 gr/m

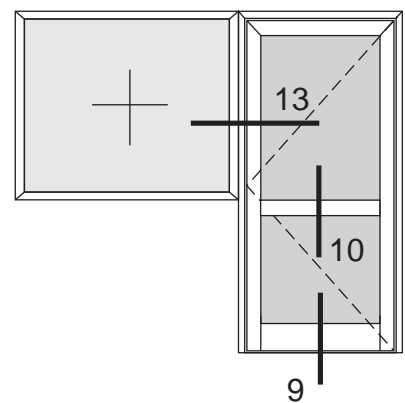
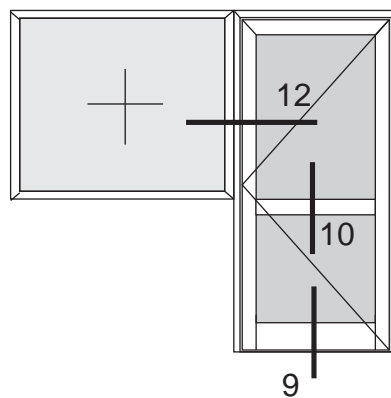
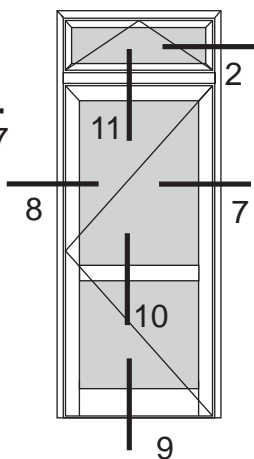
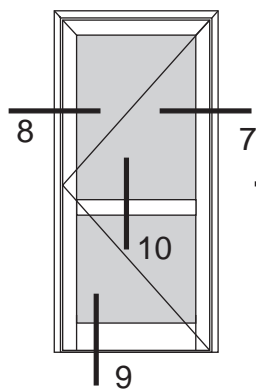
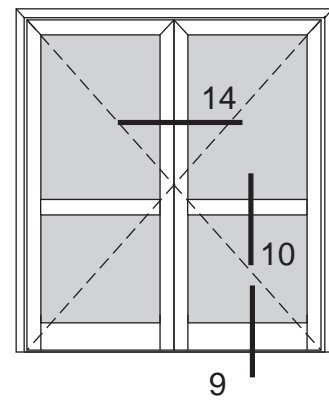
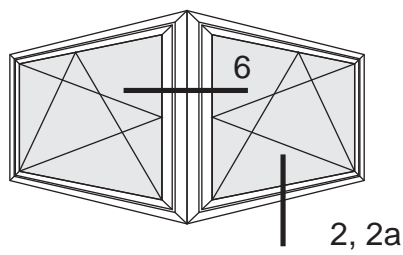
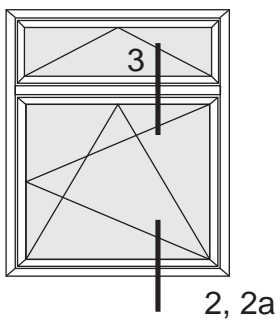
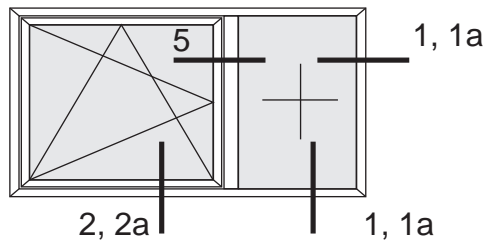
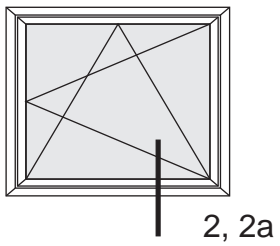
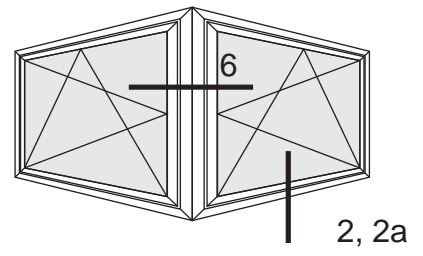
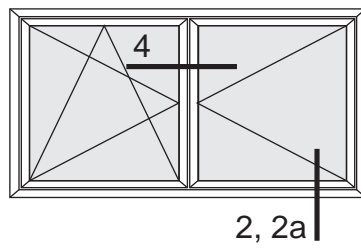
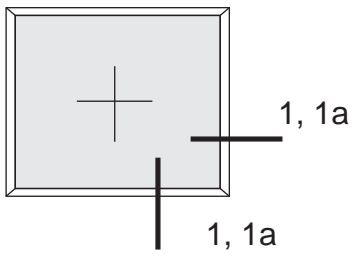
LAJSNA ZA STAKLO  
GLAZING BEAD

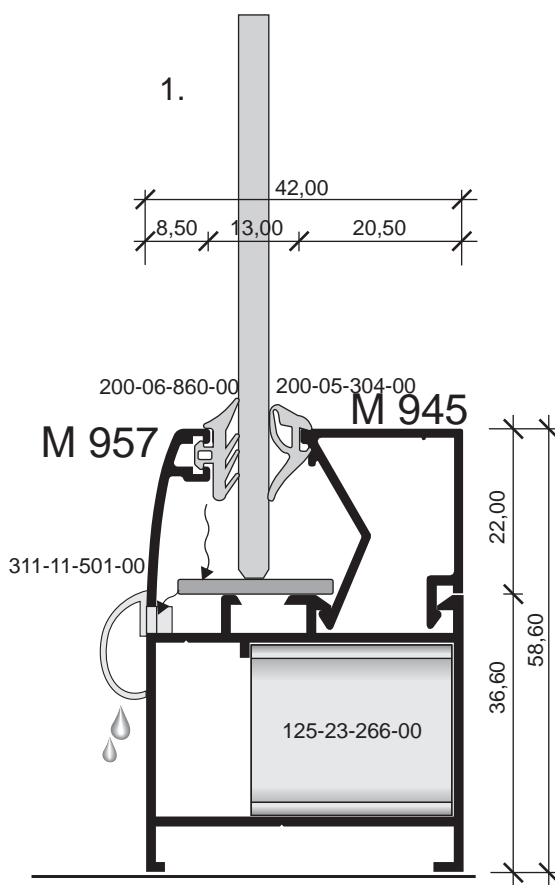
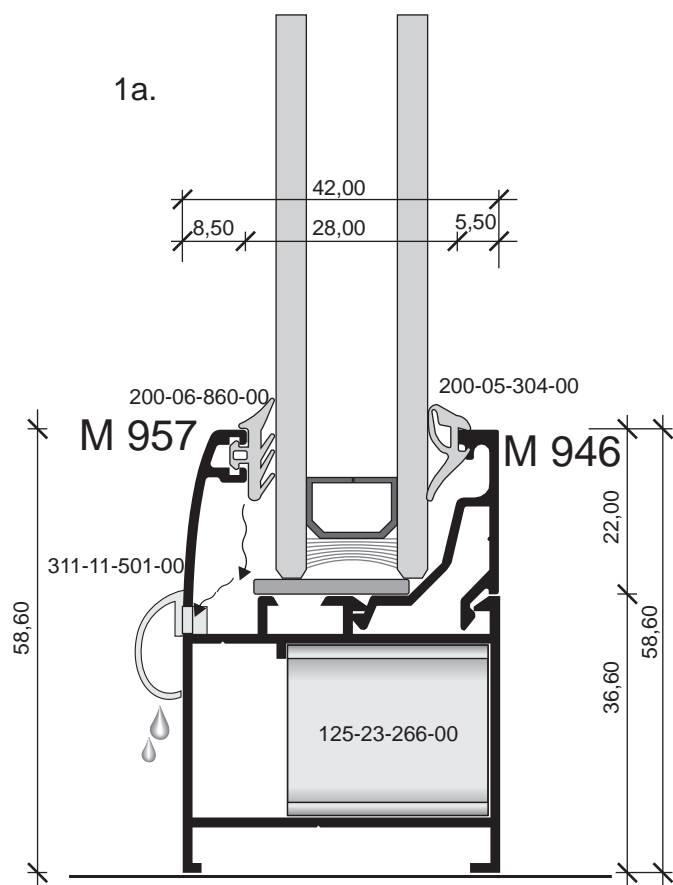


DEBLJINA ISPUNE / GLAZING TICKNESS: 16mm

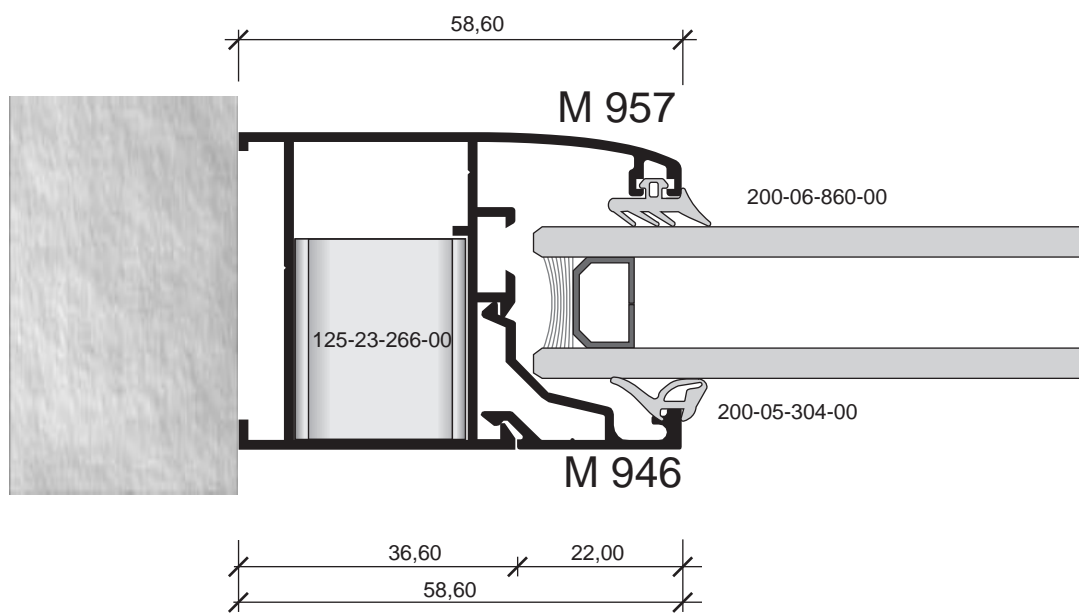
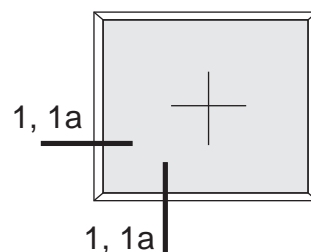


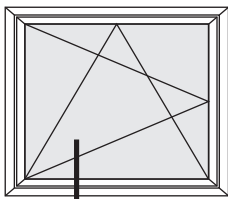
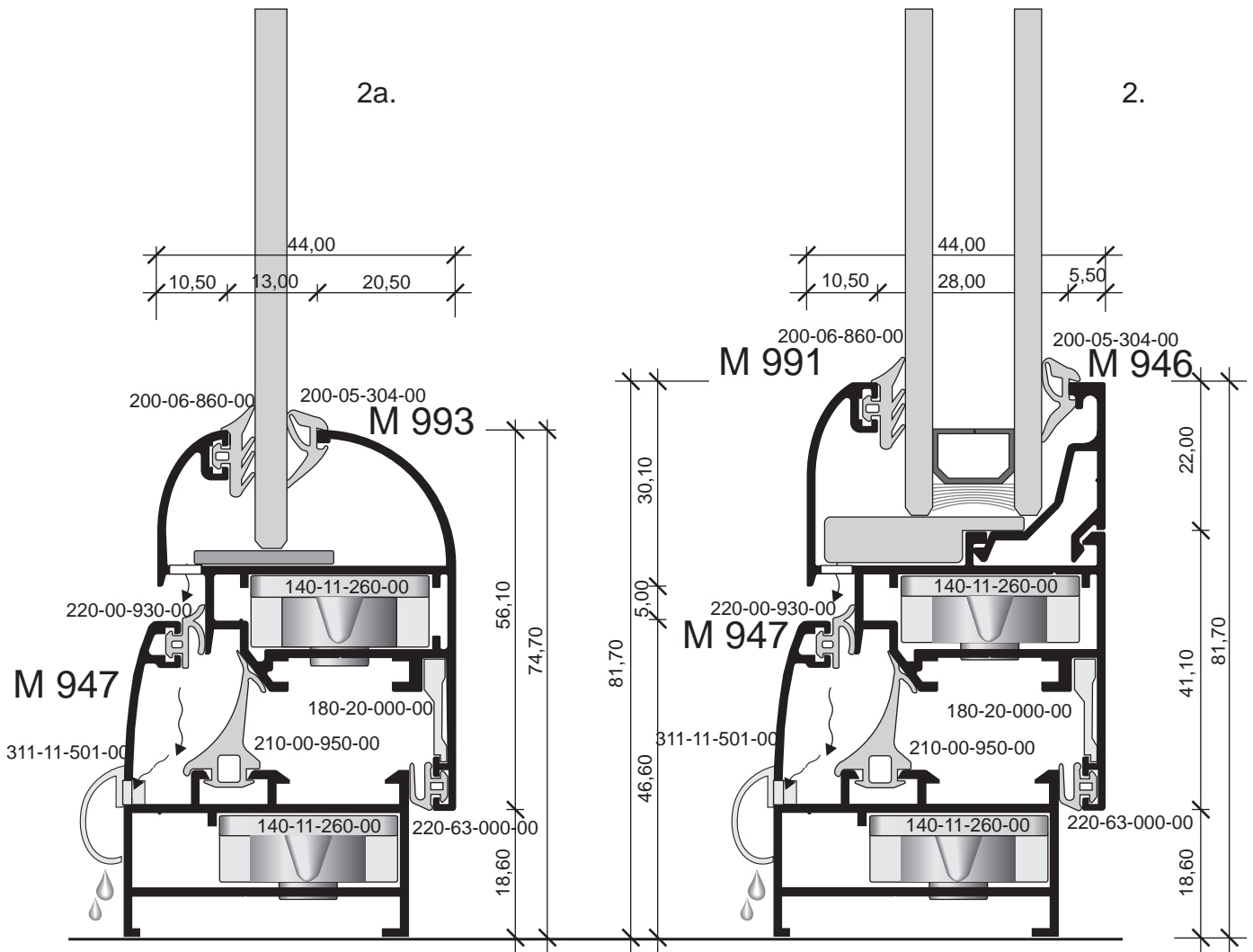
# Presjeci Sections



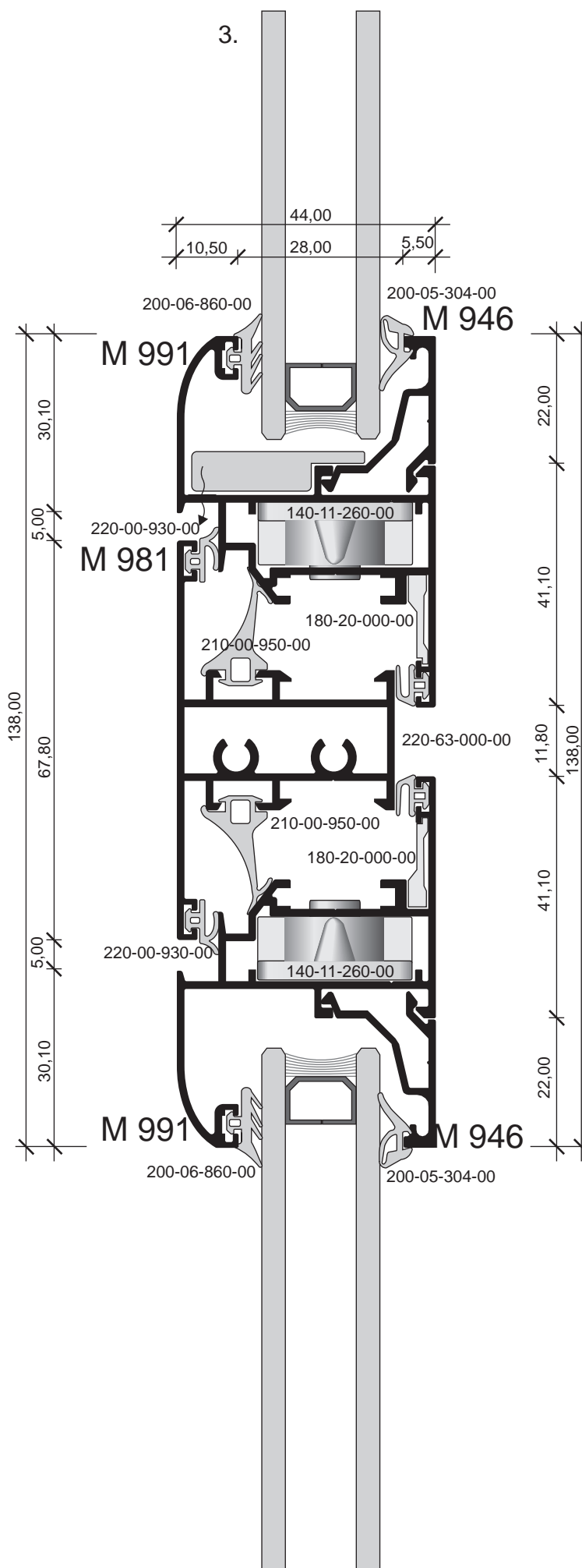
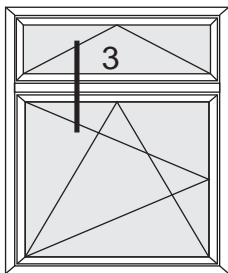


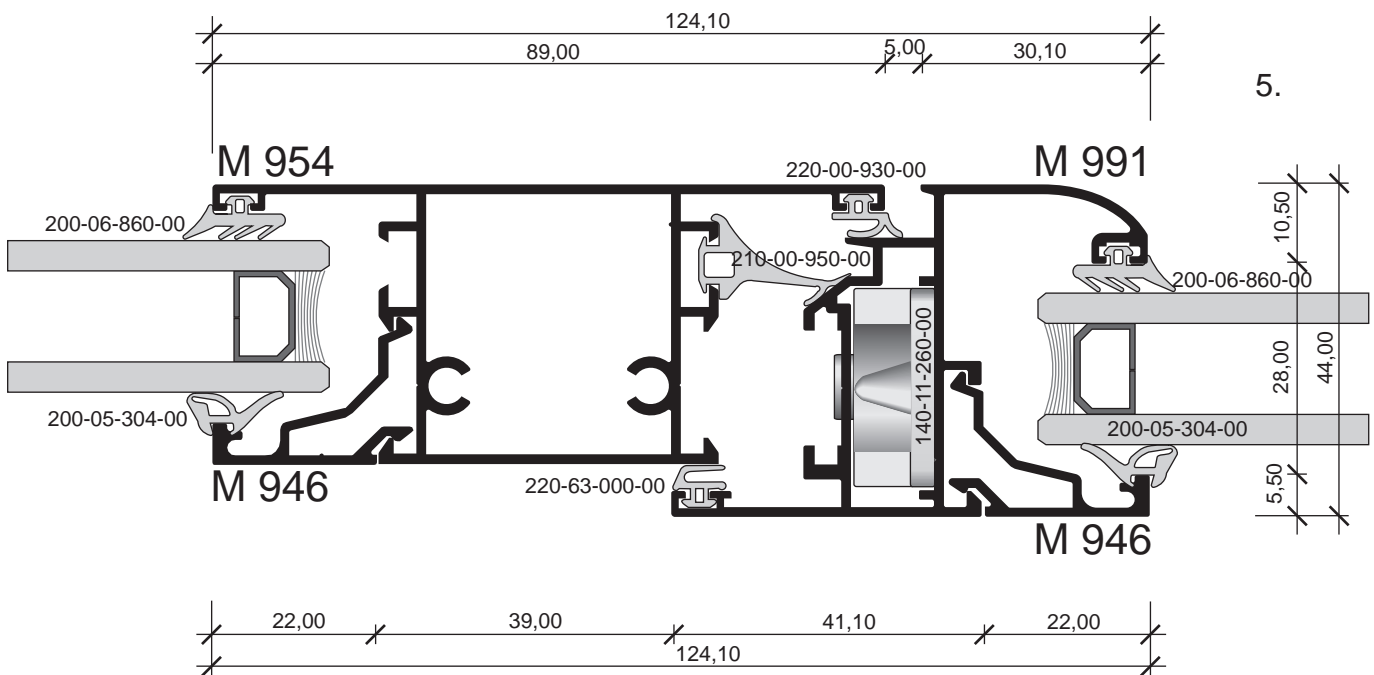
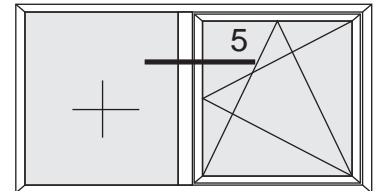
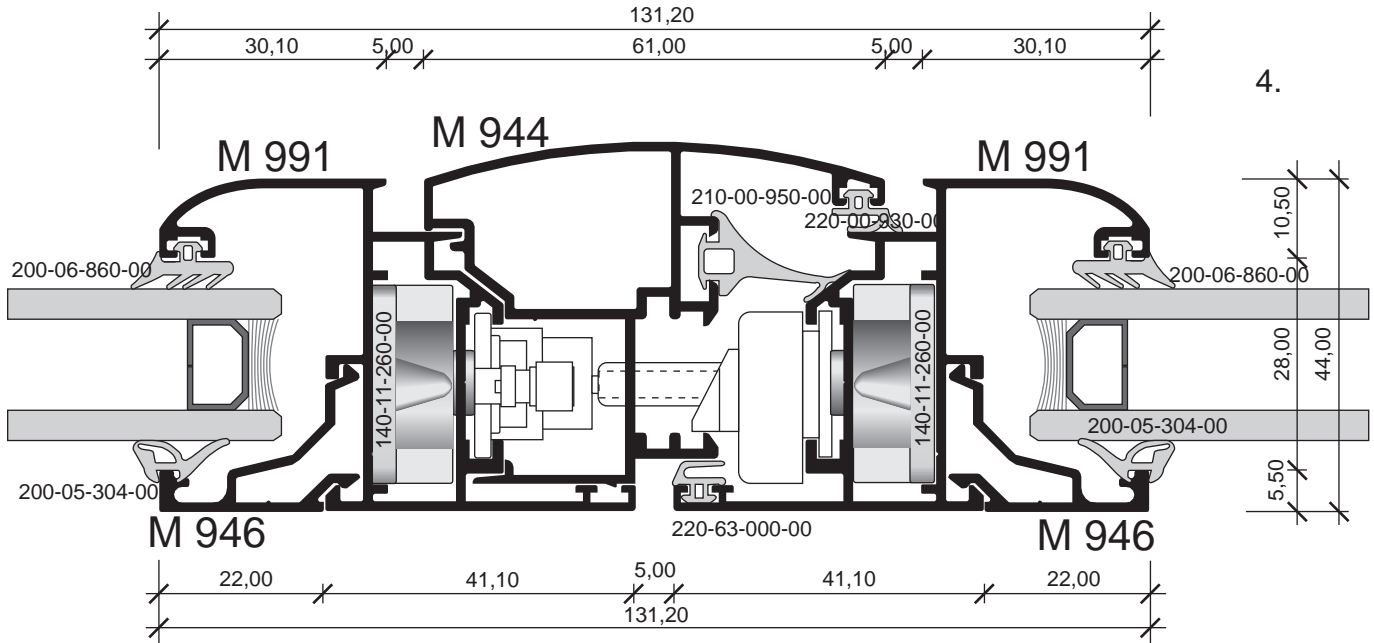
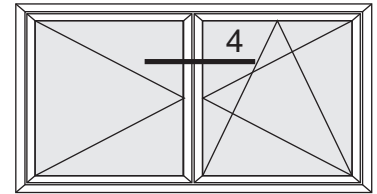
1a.



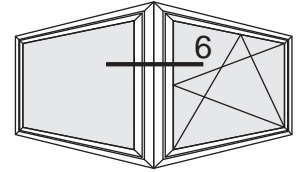


2, 2a

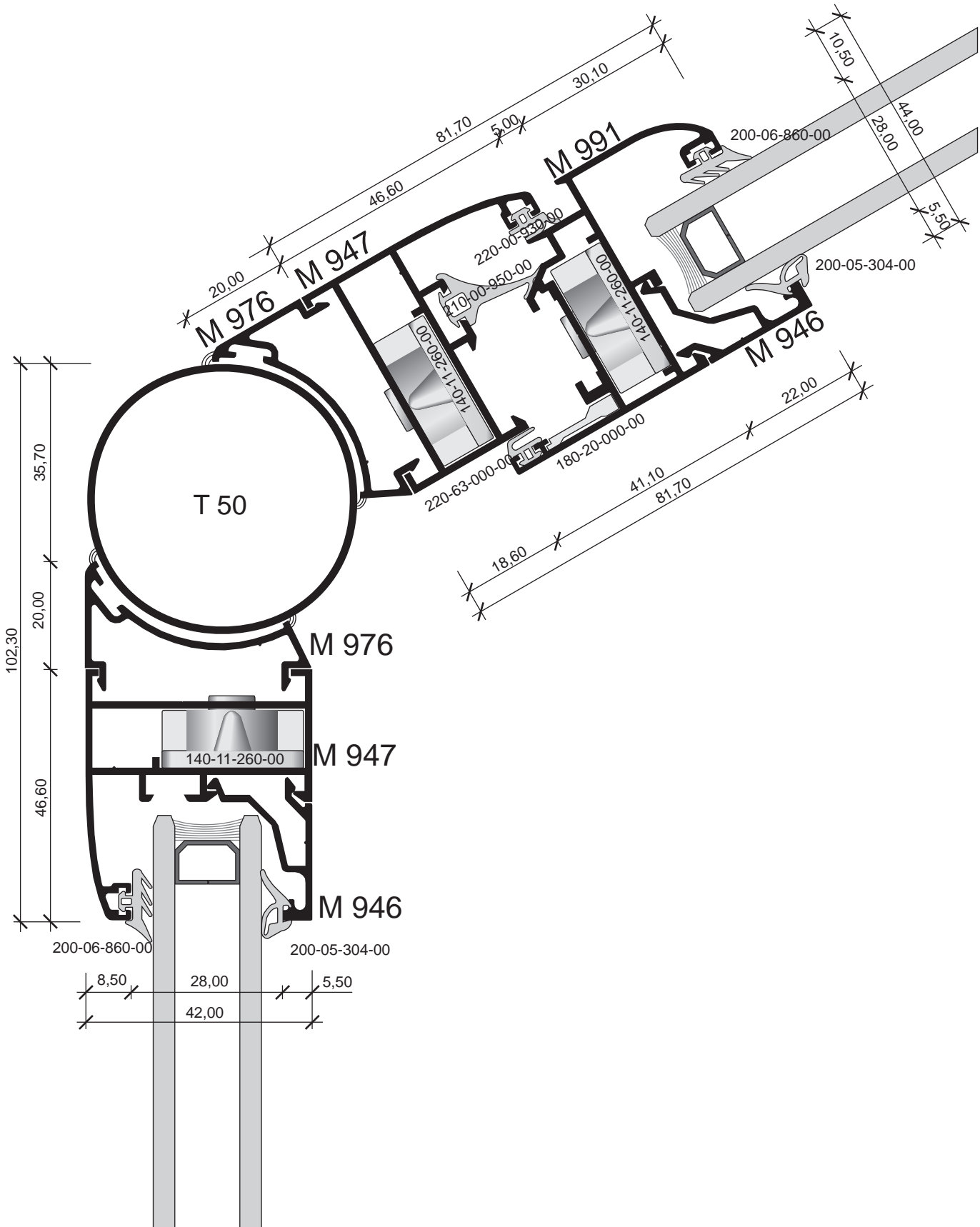


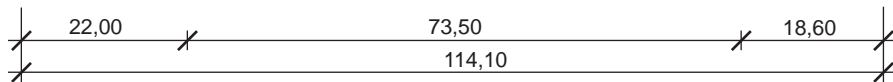
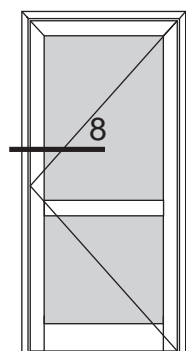
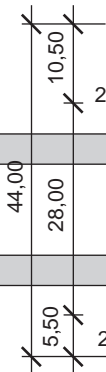
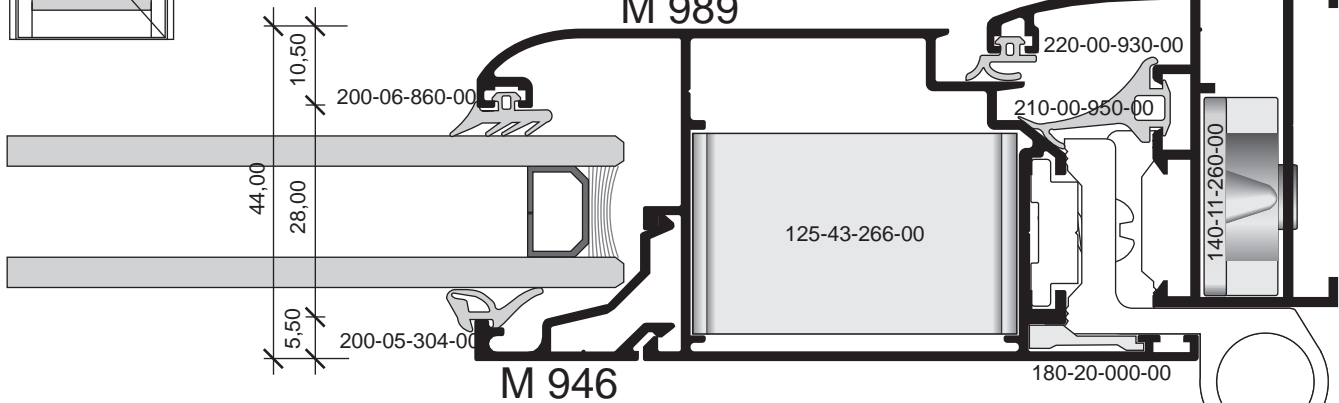
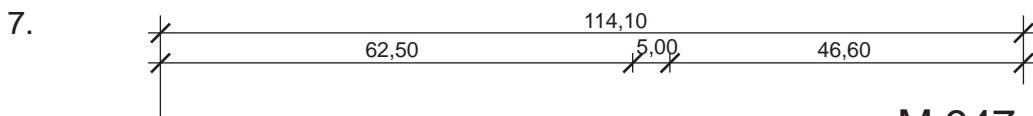
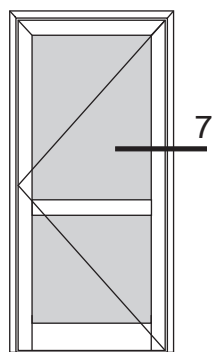


6.

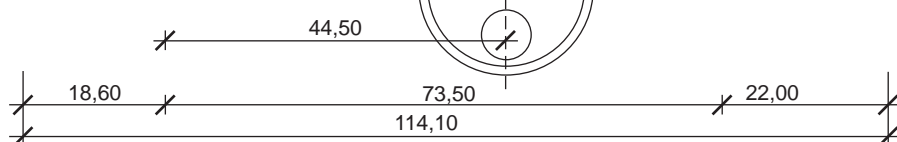
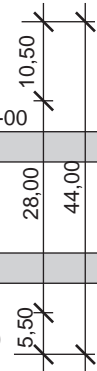
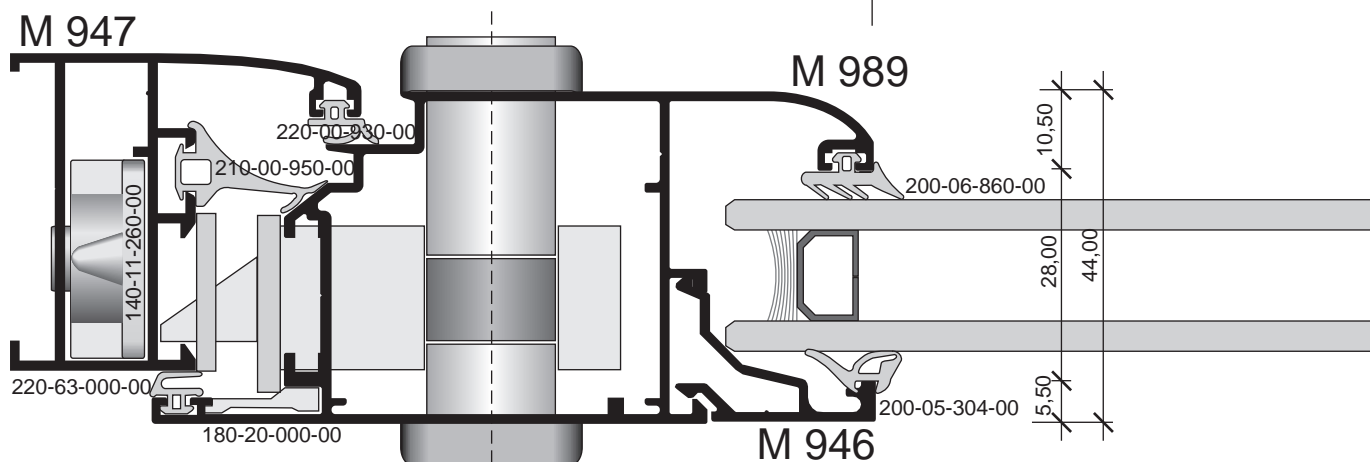
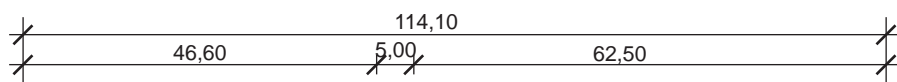


60°-180°

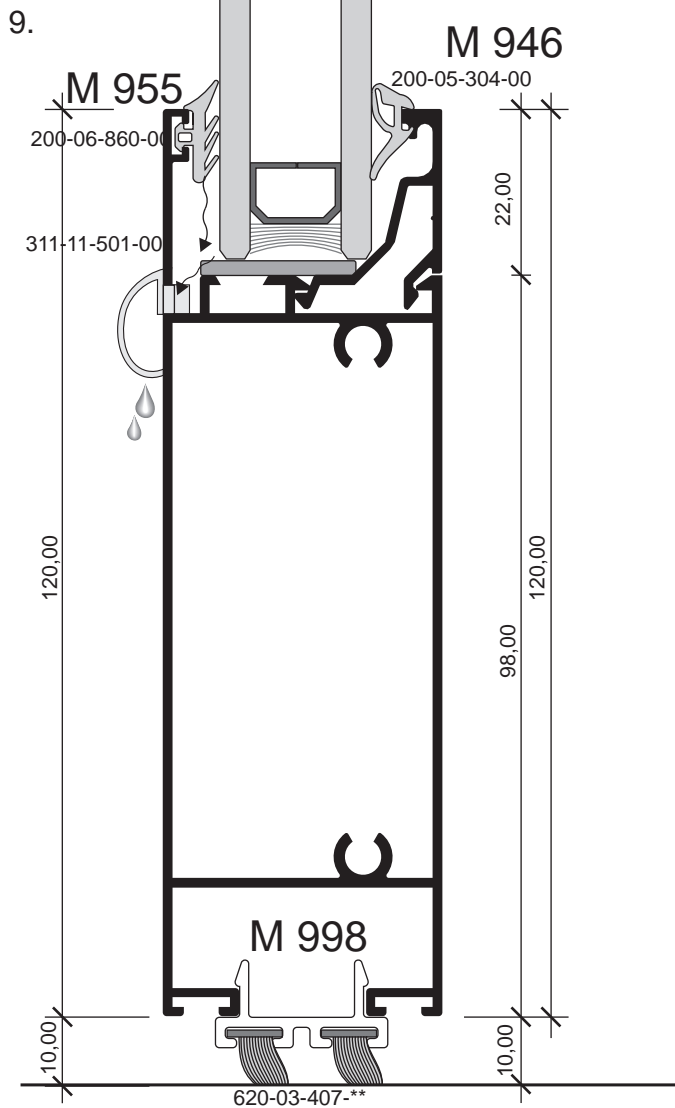
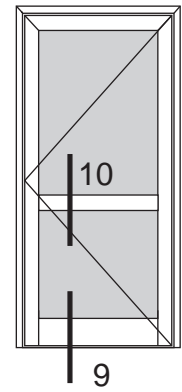
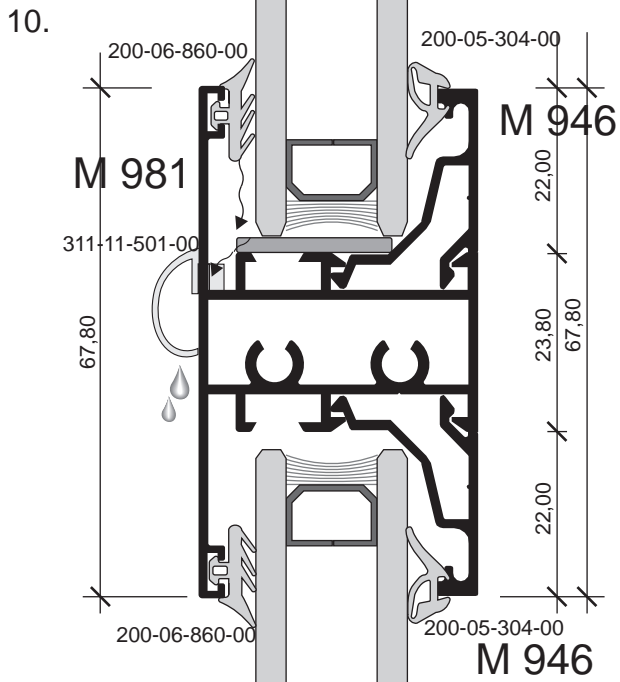


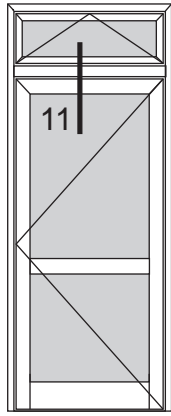


8.

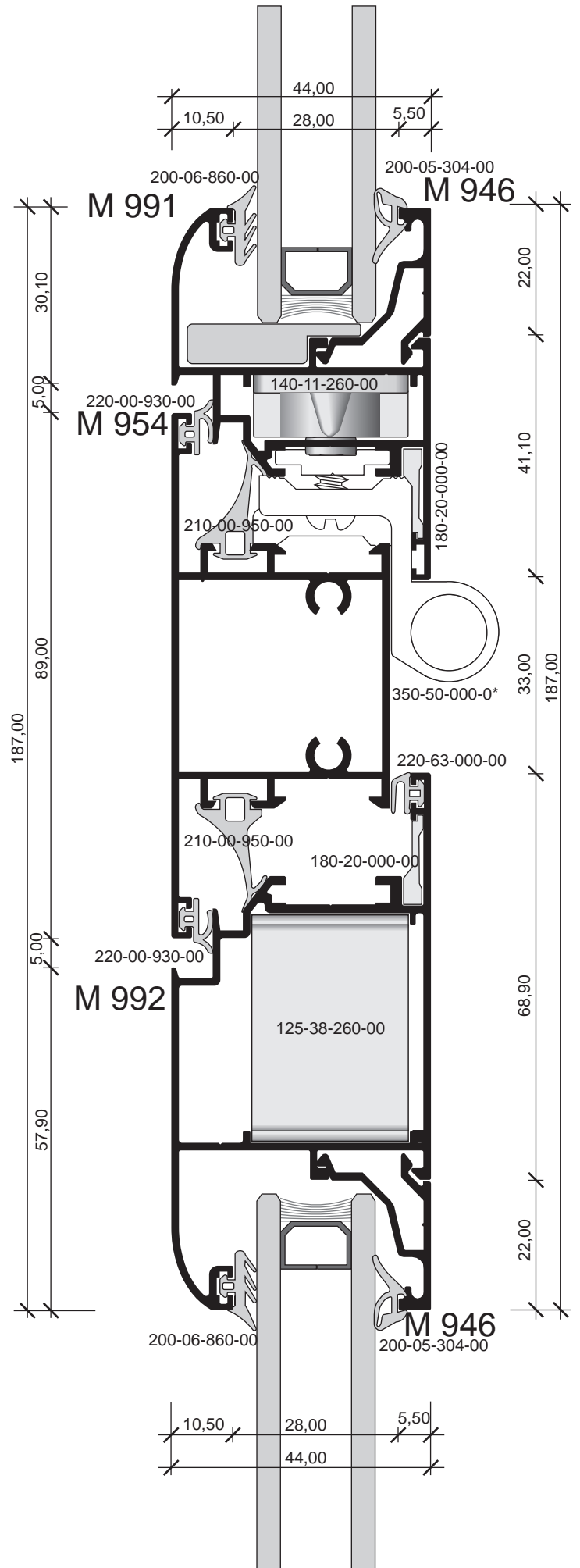




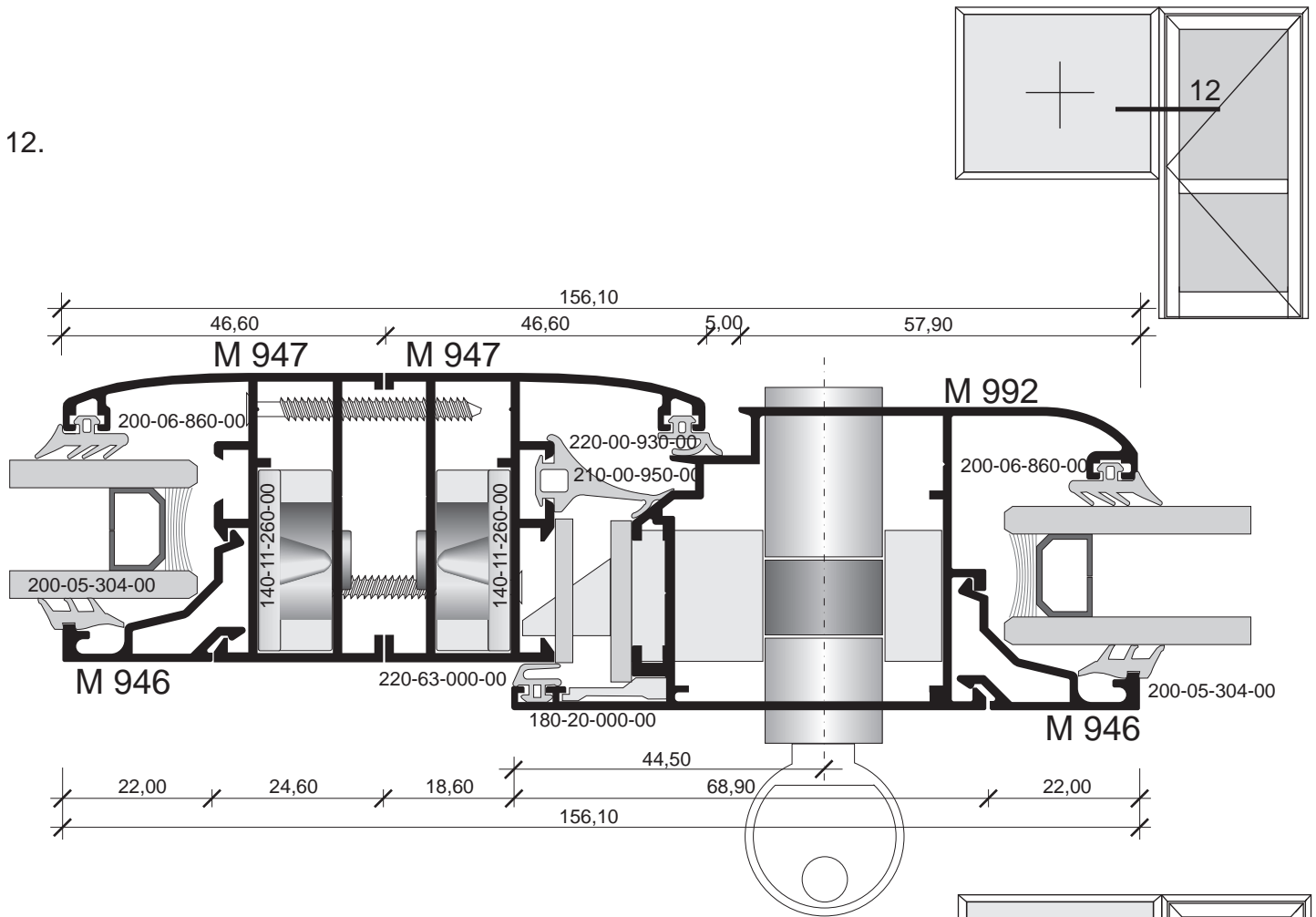




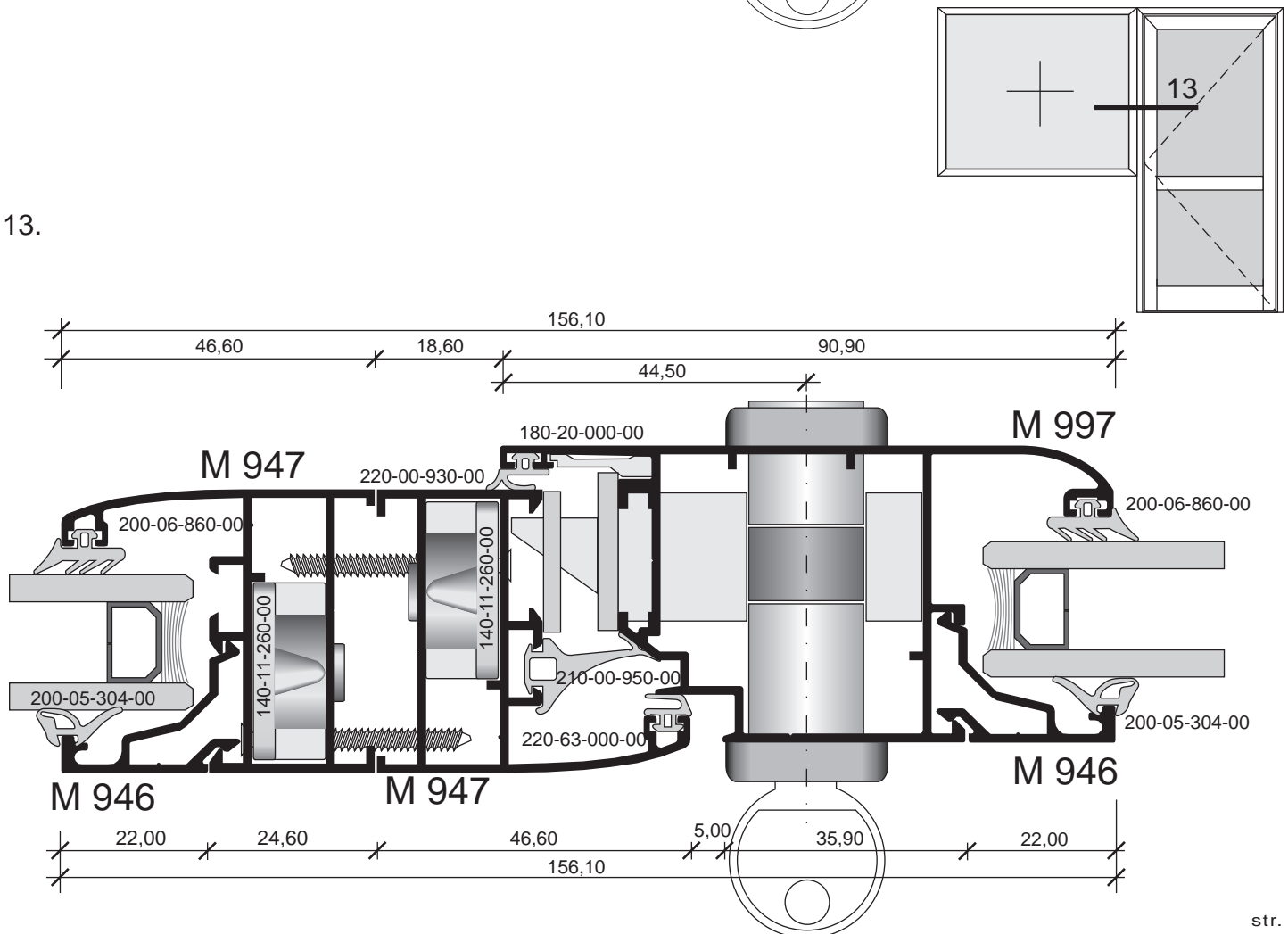
11.



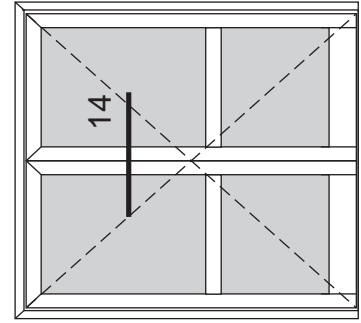
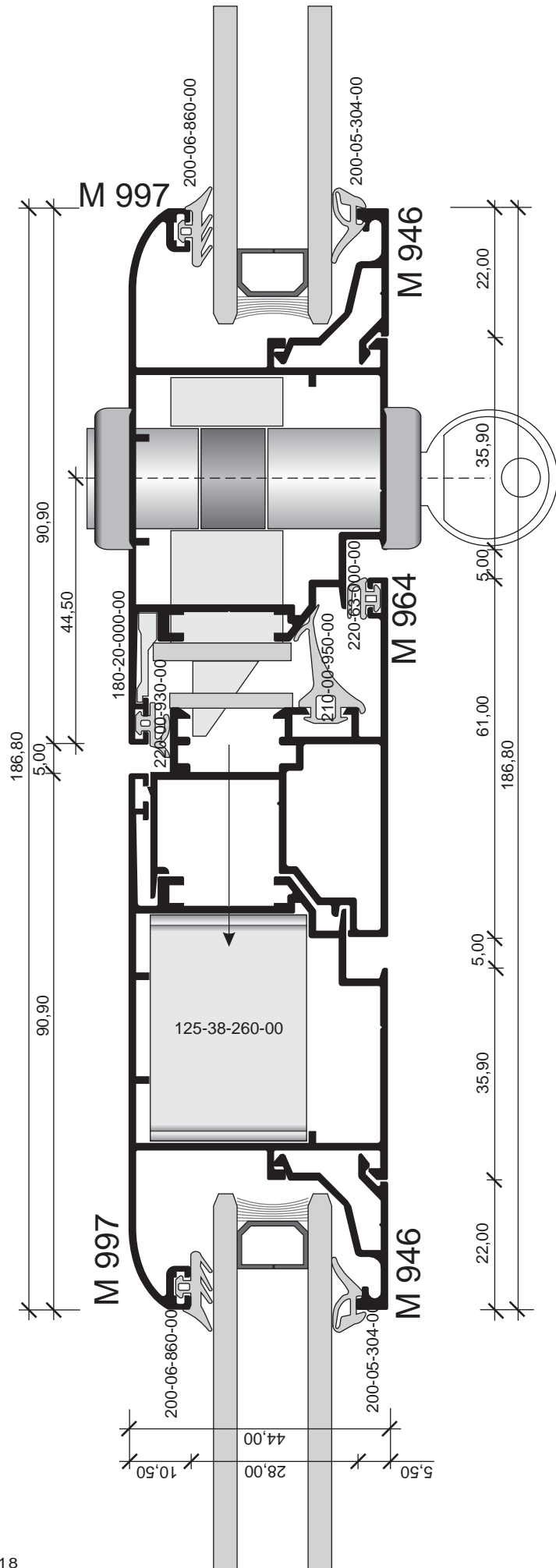
12.



13.

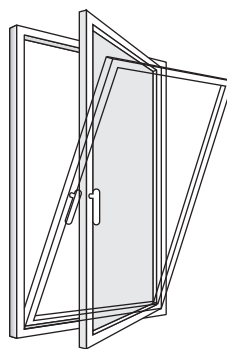
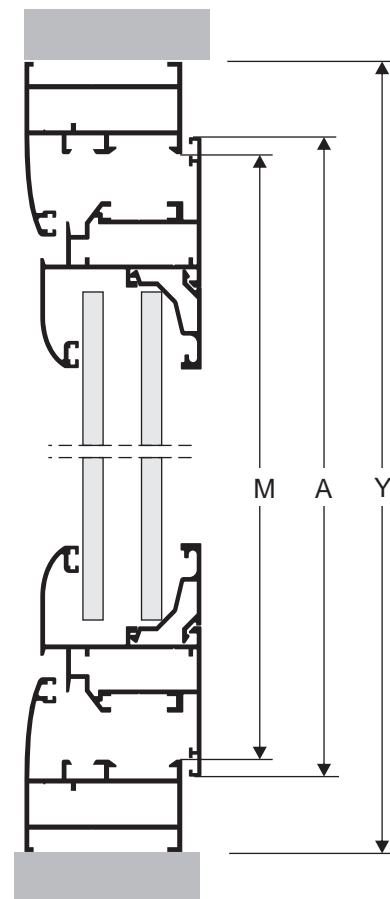
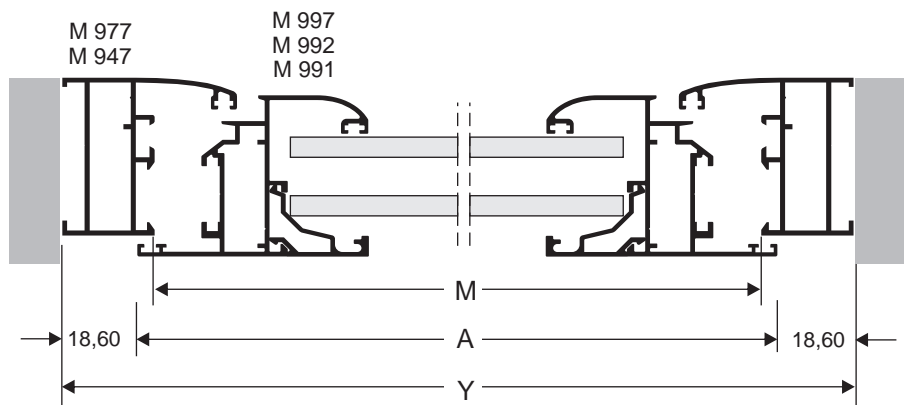


14.



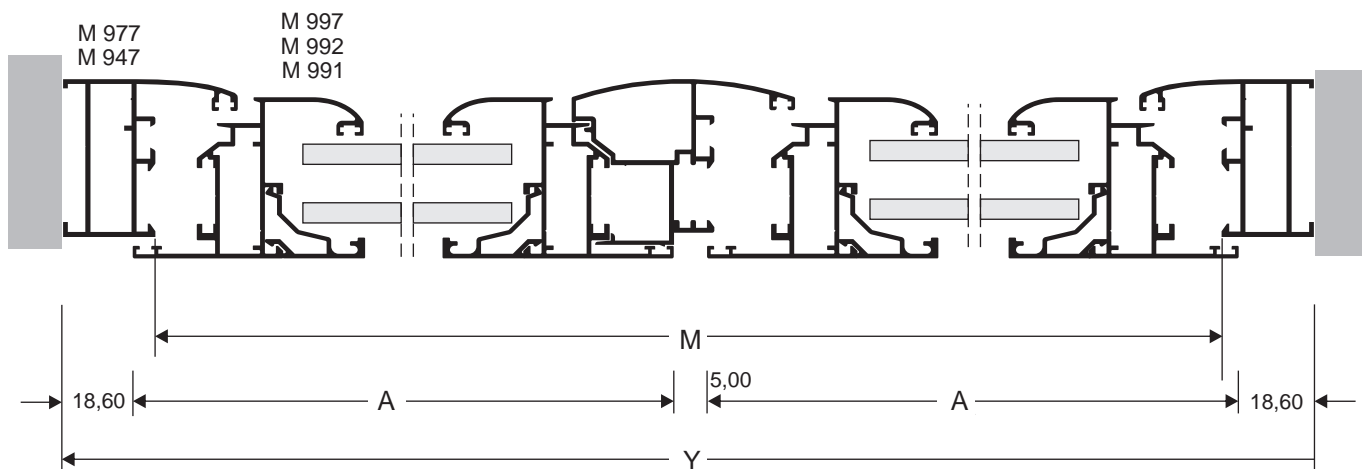
# Analiza sjeèenja Cutting Analysis

JEDNOKRILNI PROZOR / OKRETNO-NAGIBNI  
SINGLE LEAF CASEMENT / TILT-N-TURN WINDOW



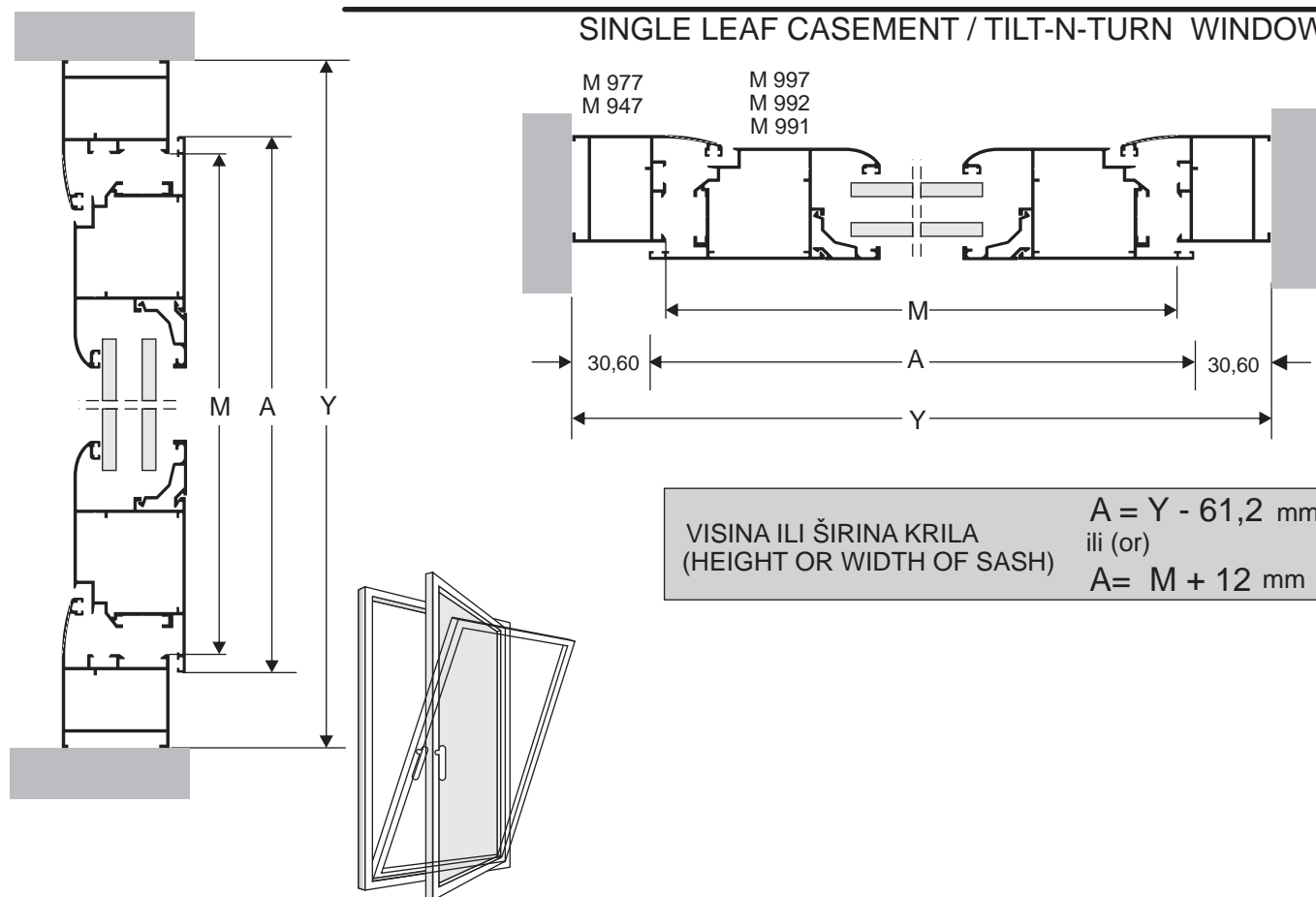
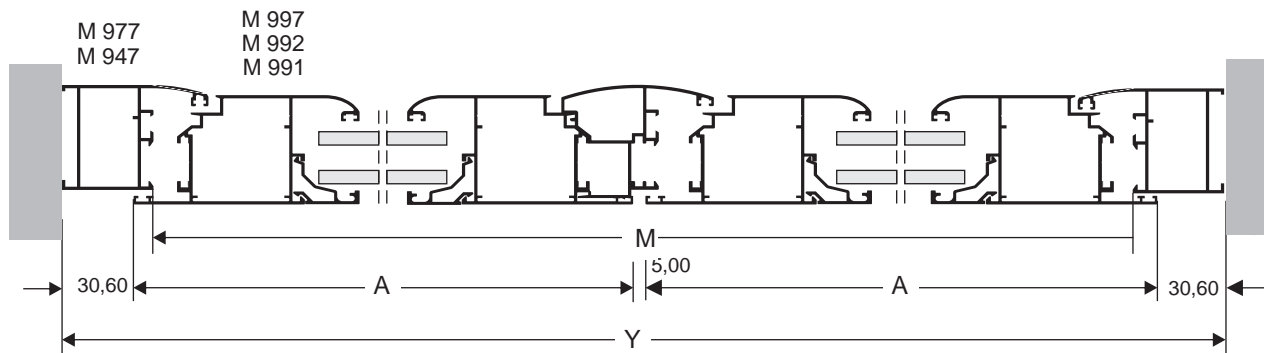
ŠIRINA ILI VISINA KRILA  
(HEIGHT OR WIDTH OF SASH)  $A = Y - 37,2 \text{ mm}$   
ili (or)  $A = M + 12 \text{ mm}$

DVOKRILNI PROZOR / OKRETNO-NAGIBNI  
DOUBLE LEAF CASEMENT / TILT-N-TURN WINDOW



ŠIRINA KRILA  
(WIDTH OF SASH)  $A = \frac{Y - 42,2}{2} \text{ mm}$  ili (or)  $A = \frac{M + 7}{2} \text{ mm}$

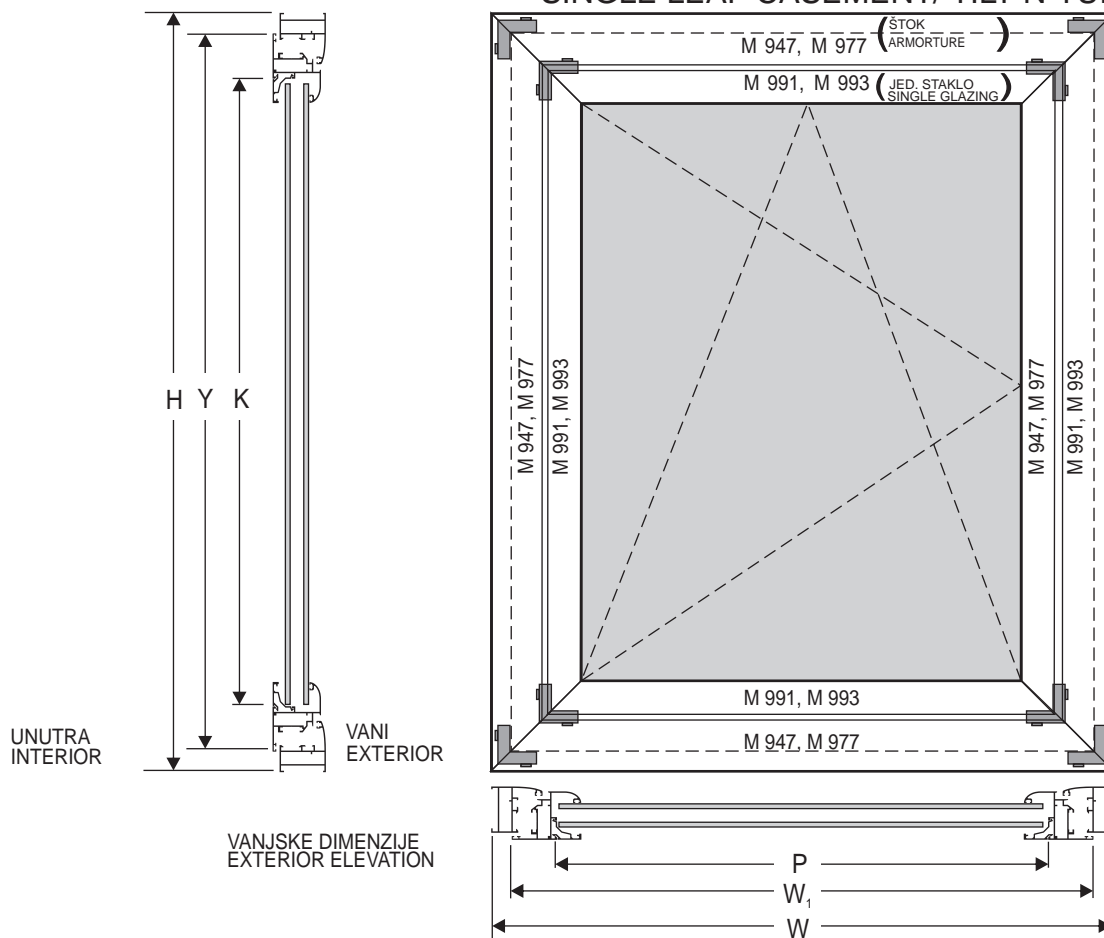
VISINA KRILA  
(HEIGHT OF SASH)  $A = Y - 37,2 \text{ mm}$  ili (or)  $A = M + 12 \text{ mm}$

**JEDNOKRILNI PROZOR / OKRETNO-NAGIBNI**  
**SINGLE LEAF CASEMENT / TILT-N-TURN WINDOW**

**DVOKRILNI PRZOR / OKRETNO-NAGIBNI**  
**DOUBLE LEAF CASEMENT / TILT-N-TURN WINDOW**


ŠIRINA KRILA (WIDTH OF SASH)	$A = \frac{Y - 66,2}{2} \text{ mm}$ ili (or) $A = \frac{M+7}{2} \text{ mm}$
---------------------------------	---

VISINA KRILA (HEIGHT OF SASH)	$A = Y - 61,2 \text{ mm}$ ili (or) $A = M + 12 \text{ mm}$
----------------------------------	--

## JEDNOKRILNI PROZOR / OKRETNO-NAGIBNI SINGLE LEAF CASEMENT/ TILT-N-TURN WINDOW

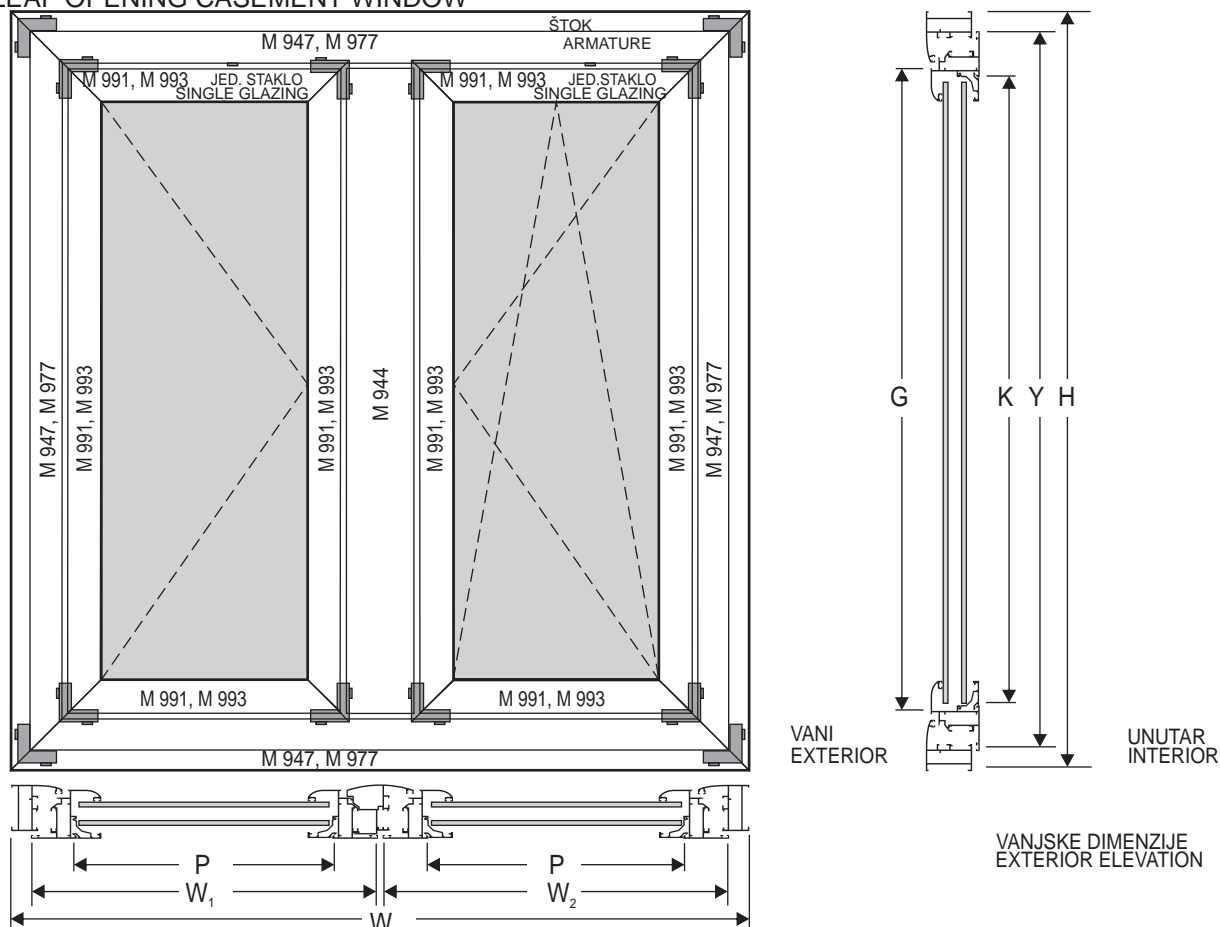


### JEDNOKRILNI PROZOR SINGLE CASEMENT/ HOPPER WINDOW

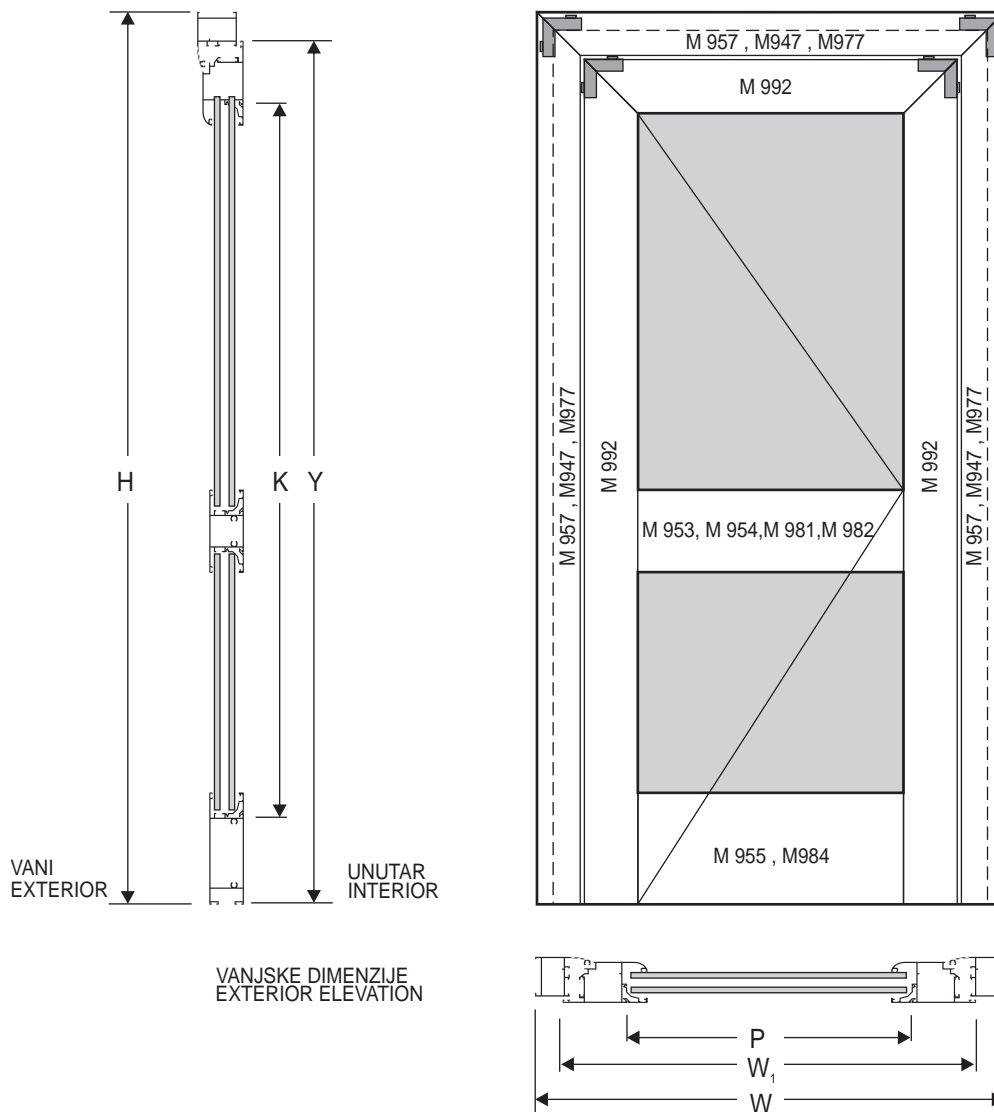
ŠTOK FRAME	OZNAKA PROFILA PROFILE NUMBER	OPIS DESCRIPTION	KOLIČINA QUANTITY
	<b>M 947</b>	ŠTOK (ili (or) M 957, M977)	FIXED FRAME 2H+2W (m)
	iii (or) <b>M 952</b>	ŠTOK SA OJAĀANJEM	FRAME WITH ARMATURE 2H+2W (m)
PRIBORI ZA ŠTOK ACCESSORIES FOR THE FRAME	140-11-260-00	RASTAVLJIVA VEZA 11 X 26mm	SCREW CORNER 11 X 26mm 4 KOM. (ea.)
	iii (or) 125-23-266-00	RASTAVLJIVA VEZA 23 X 26mm	SCREW CORNER 23 X 26mm 4 KOM. (ea.)
	210-00-950-00	CENTRALNA ZAPTIVKA	CENTRAL GASKET 2H+2W (m)
	220-00-930-00	ZAPTIVKA 220-60-000-00 i	GASKET or 220-60-000-00 GASKET 2H+2W (m)
	311-00-801-00	ĀEP ZA TEHNOLOŠKE OTOVRE	WATER CAP 2 KOM. (ea.)
KRILO SASH	<b>M 941</b>	KRILO ZA IZO STAKLO ili (or) <b>M 992</b>	SASH DOUBLE GLAZING 2Y+2W <sub>1</sub> (m)
	ili (or) <b>M 943</b>	KRILO ZA JED. STAKLO ili (or) <b>M 963</b>	SASH SINGLE GLAZING 2Y+2W <sub>1</sub> (m)
	<b>M 946</b>	LAJSNA ZA STAKLO	GLASS HOLDER 2P+2K (m)
PRIBORI ZA KRILO ACCESSORIES FOR THE SASH	140-11-260-00	RASTAVLJIVA VEZA 11 X 26mm	SCREW CORNER 11 X 26mm 4 (ea.)
	iii (or) 120-38-260-00	RASTAVLJIVA VEZA 38 X 26mm	SCREW CORNER 38 X 26mm 4 (ea.)
	220-00-930-00	iii 220-60-000-00 ZAPTIVKA	GASKET or 220-60-000-00 GASKET 2Y+2W <sub>1</sub> (m)
	200-06-860-00	ZAPTIVKA ZA STAKLO	GLAZING GASKET 2P+2K (m)
	200-02-***-**	ZAPTIVKA ZA STAKLO	GLAZING GASKET 2P+2K (m)
	180-20-000-00	DODATNA VEZA	ALIGNMENT CORNER 4 (ea.)

\* NOTE: (ea. = each) (m = meters) (pr. = pair) \* NAPOMENA: (ea. = KOM) (m = METAR) (pr. = PAR)

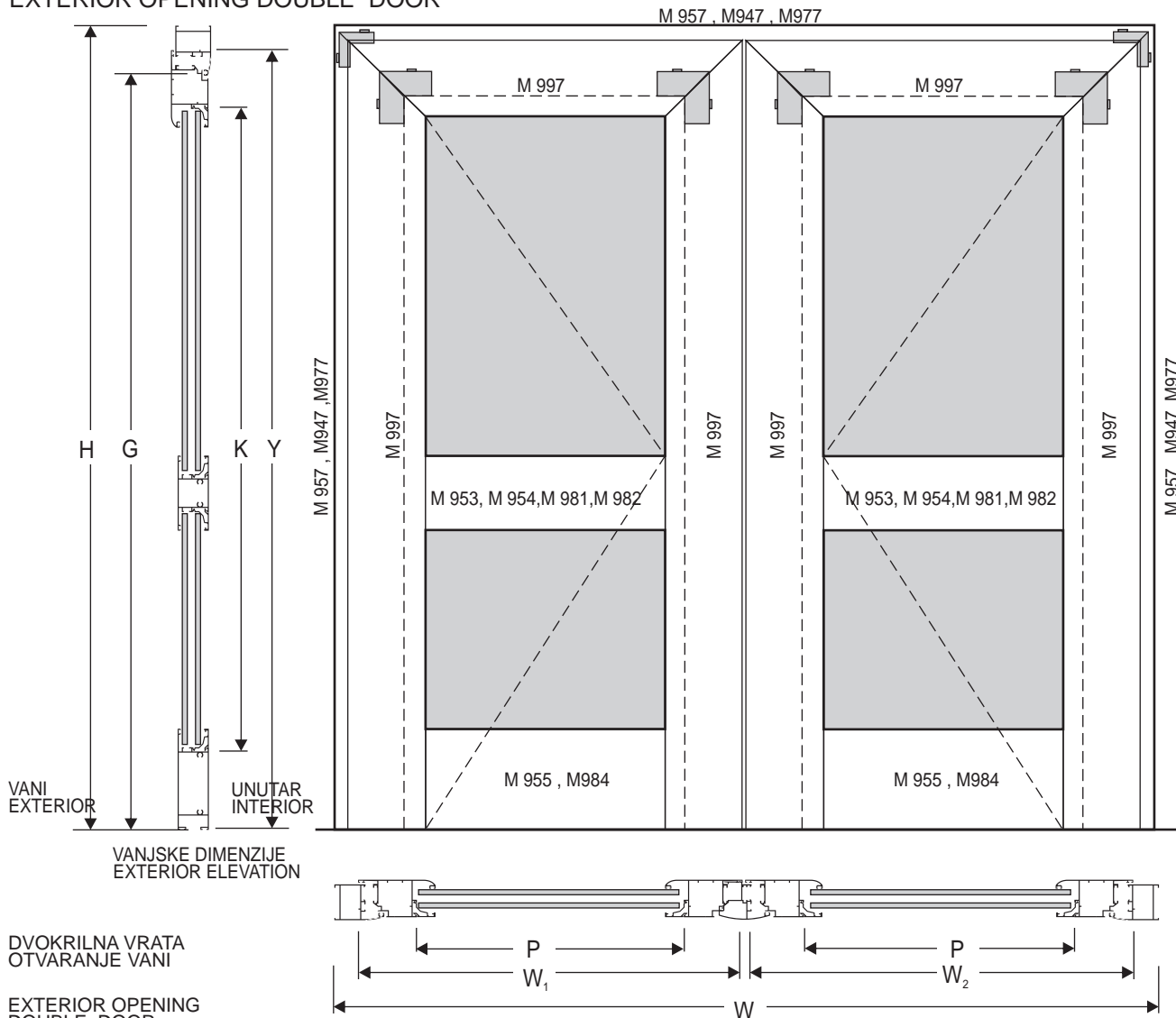


**DVOKRILNI PROZOR**  
**DOUBLE LEAF OPENING CASEMENT WINDOW**

**DVOKRILNI PROZOR** **DOUBLE OPENING CASEMENT WINDOWS**

ŠTOK FRAME	OZNAKA PROFILA PROFILE NUMBER	OPIS DESCRIPTION	KOLIČINA QUANTITY
	M 947	ŠTOK (ili(or) M 957, M 977)	FIXED FRAME 2H+2W (m)
	ili(or) M 952	ŠTOK SA OJAČANJEM	FRAME WITH ARMATURE 2H+2W (m)
PRIBORI ZA ŠTOK ACCESSORIES FOR THE FRAME	140-11-260-00	RASTAVLJIVA VEZA 11 X 26 mm	SCREW CORNER 11 X 26 mm 4 (ea.)
	ili(or) 125-23-266-00	RASTAVLJIVA VEZA 23 X 26mm	SCREW CORNER 23 X 26 mm 4 (ea.)
	210-00-950-00	CENTRALNA ZAPTIVKA	CENTRAL GASKET 2H+1W (m)
	220-00-930-00	ZAPTIVKA ili 220-60-000-00 ZAPTIVKA	GASKET 220-60-000-00 GASKET 2H+1W (m)
	311-00-801-00	POKLOPAC ZA TEHNOLOŠKE OTVORE	WATER CAP 2 (ea.)
KRILO SASH	M 991	KRILO ZA IZO STAKLO (ili(or) M 992)	SASH DOUBLE GLAZING 4Y+4W <sub>1</sub> (m)
	ili(or) M 993	KRILO ZA IZO STAKLO (ili(or) M 963)	SASH SINGLE GLAZING 4Y+4W <sub>1</sub> (m)
	M 946	LAJSNA ZA STAKLO	GLASS HOLDER 4P+4K (m)
	M 944	SREDNJA PREĀKA (ili (or) M964)	ADJOINING PROFILE 1G (m)
PRIBORI ZA KRILO ACCESSORIES FOR THE SASH	140-11-260-00	RASTAVLJIVA VEZA VISINE 26 mm	SCREW CORNER WIDTH 26 mm 8 (ea.)
	220-00-930-00	ZAPTIVKA ili 220-60-000-00 ZAPTIVKA	GASKET or 220-60-000-00 GASKET 4Y+4W <sub>1</sub> +1G (m)
	200-06-860-00	ZAPTIVKA ZA STAKLO	GLAZING GASKET 4P+4K (m)
	200-02-***.**	ZAPTIVKA ZA STAKLO	GLAZING GASKET 4P+4K (m)
	180-20-000-00	DODATNA VEZA	ALIGNMENT CORNER 8 (ea.)
	350-54-000-0*	ŠARKA	HINGE 350-54-000-0* 4 (ea.)
	300-00-944-00	POKLOPAC ZA SREDNJU PREĀKU M944	END COVER PROFILE M 944 1 par. (pr.)


 VANJSKE DIMENZIJE  
 EXTERIOR ELEVATION

VRATA			
ŠTOK FRAME	OZNAKA PROFILA PROFILE NUMBER	OPIS DESCRIPTION	KOLIČINA QUANTITY
	M 947	ŠTOK (ili(or) M 957, M 977)	FIXED FRAME 2H+1W (m)
	ili(or) M 952	ŠTOK SA OJAČANJEM	FRAME WITH ARMATURE 2H+1W (m)
PRIBORI ZA ŠTOK ACCESSORIES FOR THE FRAME	140-11-260-00	RASTAVLJIVA VEZA 11 X 26 mm	SCREW CORNER 11 X 26 mm 2 (ea.)
	ili(or) 125-23-266-00	RASTAVLJIVA VEZA 23 X 26mm	SCREW CORNER 23 X 26 mm 2 (ea.)
	210-00-950-00	CENTRALNA ZAPTIVKA	CENTRAL GASKET 2H+1W (m)
	220-00-930-00	ZAPTIVKA ili 220-60-000-00 ZAPTIVKA	GASKET or 220-60-000-00 GASKET 2H+1W (m)
	311-00-801-00	POKLOPAC ZA TEHNOLOŠKE OTVORE	WATER CAP 2 (ea.)
KRILO SASH	M 992	KRILO ZA IZO STAKLO	SASH DOUBLE GLAZING 2Y+2W <sub>1</sub> (m)
	M 946	LAJSNA ZA IZO STAKLO	DOUBLE GLAZING CAP 2K+4P (m)
	ili(or) M 945	LAJSNA ZA JEDNOSTRUKO STAKLO	SINGLE GLAZING CAP 2K+4P (m)
	M 954, M 982	"T" PREĀKA 89 mm	TEE 89 mm 1P+10 mm (m)
	M 955, M 984	PARAPET	PANEL 1P+10 mm (m)
PRIBORI ZA KRILO ACCESSORIES FOR THE SASH	120-38-260-00	RASTAVLJIVA VEZA 38 X 26 mm	SCREW CORNER 2 (ea.)
	220-00-930-00	ZAPTIVKA ili 220-60-000-00 ZAPTIVKA	GASKET or 220-60-000-00 GASKET 2Y+1W <sub>1</sub> (m)
	200-06-860-00	ZAPTIVKA	GLAZING GASKET 2K+4P (m)
	200-02-***.**	ZAPTIVKA	GLAZING GASKET 2K+4P (m)
	180-20-000-00	DODATNA VEZA	ALIGNMENT CORNER 4 (ea.)
	350-50-600-02	TRODJELNA ŠARKA	TRIPLE HINGE 2 (ea.)
	ili(or) 350-50-601-02	ŠARKA ZA DRUGO KRILO	HINGE FOR 2nd LEAF 2 (ea.)
	440-76-513-00	BRAVA	LOCKER 1 (ea.)
	620-03-007-03	ĀETKICA SA MEMBRANOM	BRUSH WITH MEMBRANE 2P+10 mm (m)

**DVOKRILNA VRATA SA OTVARANJEM VANI**
**EXTERIOR OPENING DOUBLE DOOR**

 DVOKRILNA VRATA  
OTVARANJE VANI

 EXTERIOR OPENING  
DOUBLE DOOR

ŠTOK FRAME	OZNAKA PROFILA PROFILE NUMBER	OPIS DESCRIPTION	KOLIČINA QUANTITY
PROFIL PROFILE	M 947	ŠTOK (ili (or) M 957, M 977)	FIXED FRAME 2H+2W (m)
	ili (or) M 952	ŠTOK SA OJAŽANJEM	FRAME WITH ARMATURE 2H+2W (m)
PRIBORI ACCESSORIES	140-11-260-00	RASTAVLJIVA VEZA 11 X 26 mm	SCREW CORNER 11 X 26 mm 2 (ea.)
	ili (or) 125-23-266-00	RASTAVLJIVA VEZA 23 X 26 mm	SCREW CORNER 23 X 26 mm 2 (ea.)
	210-00-950-00	CENTRALNA ZAPTIVKA	CENTRAL GASKET 2H+1W (m)
	220-00-930-00	ZAPTIVKA	GASKET 2H+1W (m)
	311-00-801-00	220-60-000-00 ZAPTIVKA or 220-60-000-00 GASKET	or 220-60-000-00 GASKET
PROFIL ZA KRILO SASH PROFILE	M 997	KRILO ZA IZO STAKLO	SASH DOUBLE GLAZING 4Y+2W <sub>1</sub> (m)
	M 946	LAJSNA ZA IZO STAKLO	DOUBLE GLAZING CAP 4K+8P (m)
	ili (or) M 945	LAJSNA ZA JED. STAKLO	SINGLE GLAZING CAP 4K+8P (m)
	ili (or) M 969	LAJSNA ZA JED. STAKLO	SINGLE GLAZING CAP 4K+8P (m)
	M 944	SREDNJA PREĀKA	ADJOINING PROFILE 1G (m)
	M 954, M 982	"T" PREĀKA 89mm	"T" PROFILE 89 mm 2P+10 mm (m)
PRIBORI ACCESSORIES	M 955, M 984	PARAPET	DOOR PANEL 2P+10 mm (m)
	220-00-930-00	ZAPTIVKA ili 220-60-000-00 ZAPTIVKA	or 220-60-000-00 GASKET
	200-06-860-00	ZAPTIVKA ZA STAKLO	GLAZING GASKET 2P+4K (m)
	200-02-***.**	ZAPTIVKA ZA STAKLO	GLAZING GASKET 2P+4K (m)
	180-20-000-00	DODATNA VEZA	ALIGNMENT CORNER 3 (ea.)
	350-50-600-02	TRODJELNA ŠARKA	TRIPLE HINGE 4 (ea.)
	ili (or) 350-50-601-02	ŠARKA ZA DRUGA VRATA	HINGE FOR 2nd LEAF 4 (ea.)
	620-03-007-03	ĀETKICA SA MEMBRANOM	BRUSH WITH MEMBRANE 4P+20 mm (m)
	440-76-513-00	BRAVA	LOCKER 1 (ea.)



# Pribori i okovi Accessories

<p>125-23-266-00</p> 	<p>KAT.BR. : ART. No: <b>125-23-266-00</b> Stock No :</p> <p>OPIS / DESCRIPTION : RASTAVLJIVA VEZA / SCREW CORNER</p> <p>MATERIJAL / MATERIAL :ALUMINIJUM / ALUMINIUM PAKOVANJE / PACKAGE:</p> <p>BOJA / COLOR: SIROVO / MILL FINISH</p>
<p>120-38-260-00</p> 	<p>KAT.BR. : ART. No: <b>120-38-260-00</b> Stock No :</p> <p>OPIS / DESCRIPTION : RASTAVLJIVA VEZA / SCREW CORNER</p> <p>MATERIJAL / MATERIAL :ALUMINIJUM / ALUMINIUM PAKOVANJE / PACKAGE:</p> <p>BOJA / COLOR: SIROVO / MILL FINISH</p>
<p>140-00-219-00</p> 	<p>KAT.BR. : ART. No: <b>140-00-219-00</b> Stock No :</p> <p>OPIS / DESCRIPTION : RASTAVLJIVA VEZA / SCREW CORNER</p> <p>MATERIJAL / MATERIAL :ĚELIK / STEEL PAKOVANJE / PACKAGE:</p> <p>BOJA / COLOR: SIROVO / MILL FINISH</p>
<p>140-11-260-00</p> 	<p>KAT.BR. : ART. No: <b>140-11-260-00</b> Stock No :</p> <p>OPIS / DESCRIPTION : RASTAVLJIVA VEZA / SCREW CORNER</p> <p>MATERIJAL / MATERIAL :LIVENI AL / DIE-CAST ALUMINIUM PAKOVANJE / PACKAGE:</p> <p>BOJA / COLOR: SIROVO / MILL FINISH</p>
<p>180-19-000-00</p> 	<p>KAT.BR. : ART. No: <b>180-19-000-00</b> Stock No :</p> <p>OPIS / DESCRIPTION : DODATNA VEZA / ALIGNMENT CORNER</p> <p>MATERIJAL / MATERIAL :ĚELIK / STEEL PAKOVANJE / PACKAGE :</p> <p>BOJA / COLOR:</p>
<p>180-20-000-00</p> 	<p>KAT.BR. : ART. No: <b>180-20-000-00</b> Stock No :</p> <p>OPIS / DESCRIPTION : DODATNA VEZA / ALIGNMENT CORNER</p> <p>MATERIJAL / MATERIAL :POLIAMID / POLYAMIDE PAKOVANJE / PACKAGE :</p> <p>BOJA / COLOR: CRNA / BLACK</p>
<p>300-00-944-00</p> 	<p>KAT.BR. : ART. No: <b>300-00-944-00</b> Stock No :</p> <p>OPIS / DESCRIPTION : ĚEP ZA SREDNJU PREĚKU / END COVER</p> <p>MATERIJAL / MATERIAL :POLIAMID / POLYAMIDE PAKOVANJE / PACKAGE:</p> <p>BOJA / COLOR: CRNA / BLACK</p>
<p>300-00-964-00</p> 	<p>KAT.BR. : ART. No: <b>300-00-964-00</b> Stock No :</p> <p>OPIS / DESCRIPTION : ĚEP ZA SREDNJU PREĚKU / END COVER</p> <p>MATERIJAL / MATERIAL : POLIAMID / POLYAMIDE PAKOVANJE / PACKAGE:</p> <p>BOJA / COLOR: CRNA / BLACK</p>

<p>180-11-118-00</p> 	<p>KAT.BR. / ART. No: <b>180-11-118-00</b> Stock No :</p> <p>OPIS / DESCRIPTION : UGLIÄ / ALIGNMENT CORNER</p> <p>MATERIJAL / MATERIAL : POLIAMID / POLYAMIDE PAKOVANJE / PACKAGE :</p> <p>BOJA / COLOR : CRNA / BLACK</p>
<p>17060562104</p> 	<p>KAT.BR. / ART. No: <b>17060562104</b> Stock No :</p> <p>OPIS / DESCRIPTION : UGAO ZA M969 / CORNER FOR M969</p> <p>MATERIJAL / MATERIAL : LIVENI AL / DIE CAST AL PAKOVANJE / PACKAGE :</p> <p>BOJA / COLOR : CRNA / BLACK, 17060562101 BIJELA/WHITE</p>
<p>310-11-501-00</p> 	<p>KAT.BR. / ART. No: <b>310-11-501-00</b> Stock No :</p> <p>OPIS / DESCRIPTION : ÈEP ZA TEHNOLOŠKI OTVOR / WATER CAP</p> <p>MATERIJAL / MATERIAL : POLIAMID / POLYAMIDE PAKOVANJE / PACKAGE :</p> <p>BOJA / COLOR : BIJELA / WHITE, CRNA / BLACK</p>
<p>310-11-116-00</p> 	<p>KAT.BR. / ART. No: <b>310-11-116-00</b> Stock No :</p> <p>OPIS / DESCRIPTION : ÈEP / END COVER</p> <p>MATERIJAL / MATERIAL : POLIAMID / POLYAMIDE PAKOVANJE / PACKAGE :</p> <p>BOJA / COLOR : CRNA / BLACK PROFIL / PROFILE : M11116</p>
<p>310-09-317-00</p> 	<p>KAT.BR. / ART. No: <b>310-09-317-00</b> Stock No :</p> <p>OPIS / DESCRIPTION : ÈEP ZA OKAPNICU/ END COVER</p> <p>MATERIJAL / MATERIAL POLIAMID / POLYAMIDE PAKOVANJE / PACKAGE :</p> <p>BOJA / COLOR : PROFIL / PROFILE : M9317</p>
	<p>KAT.BR. / ART. No: <b>200-05-304-00</b> Stock No :</p> <p>OPIS / DESCRIPTION : ZAPTIVKA ZA STAKLO 3 - 4 mm / GLAZING GASKET 3 - 4</p> <p>MATERIJAL / MATERIAL : EPDM BOJA / COLOR: CRNA / BLACK</p>
	<p>KAT.BR. / ART. No: <b>200-05-506-00</b> Stock No :</p> <p>OPIS / DESCRIPTION : ZAPTIVKA ZA STAKLO 5 - 6 mm / GLAZING GASKET 5 - 6</p> <p>MATERIJAL / MATERIAL : EPDM BOJA / COLOR: CRNA / BLACK</p>
	<p>KAT.BR. / ART. No: <b>910-00-022-35</b> Stock No :</p> <p>OPIS / DESCRIPTION : ZAPTIVKA ZA STAKLO 2,5 mm / GLAZING GASKET 2,5 mm</p> <p>MATERIJAL / MATERIAL : EPDM BOJA / COLOR: CRNA / BLACK</p>
	<p>KAT.BR. / ART. No: <b>210-00-950-00</b> Stock No :</p> <p>OPIS / DESCRIPTION : CENTRALNA ZAPTIVKA / CENTRAL GASKET</p> <p>MATERIJAL / MATERIAL : EPDM BOJA / COLOR: CRNA / BLACK</p>

	<p>KAT.BR. / ART. No: <b>220-00-930-00</b> Stock No :</p> <p>OPIS / DESCRIPTION : ZAPTIVKA / GASKET</p> <p>MATERIJAL / MATERIAL : EPDM BOJA / COLOR: CRNA / BLACK</p>
	<p>KAT.BR. / ART. No: <b>220-63-000-00</b> Stock No :</p> <p>OPIS / DESCRIPTION : ZAPTIVKA / GASKET</p> <p>MATERIJAL / MATERIAL : EPDM BOJA / COLOR: CRNA / BLACK</p>
	<p>KAT.BR. / ART. No: <b>200-06-860-00</b> Stock No :</p> <p>OPIS / DESCRIPTION : ZAPTIVKA ZA STAKLO 4 mm / GLAZING GASKET 4 mm</p> <p>MATERIJAL / MATERIAL : EPDM BOJA / COLOR: CRNA / BLACK</p>
	<p>KAT.BR. / ART. No: <b>200-68-310-00</b> Stock No :</p> <p>OPIS / DESCRIPTION : ZAPTIVKA ZA STAKLO 3 mm / GLAZING GASKET 3 mm</p> <p>MATERIJAL / MATERIAL : GUMA FORPREN BOJA / COLOR: CRNA / BLACK</p>







- Telefoni: ++387 56 733 750; 710 571; 710-690
- Fax: ++387 56 733 196; 710 681
- E-mail: [bhaluminium@alpro-vl.com](mailto:bhaluminium@alpro-vl.com)
- Web: [www.alumil.com](http://www.alumil.com), [www.alumil.ba](http://www.alumil.ba), [www.alpro-vl.com](http://www.alpro-vl.com)